

# Sound sensor module



**Sound sensor module** can be use to detect sounds or triggered device by clapping switching On /Off the devices. Compatible in all gizduino boards and MCUs.

## **General Specifications:**

**Input supply voltage:** 5VDC

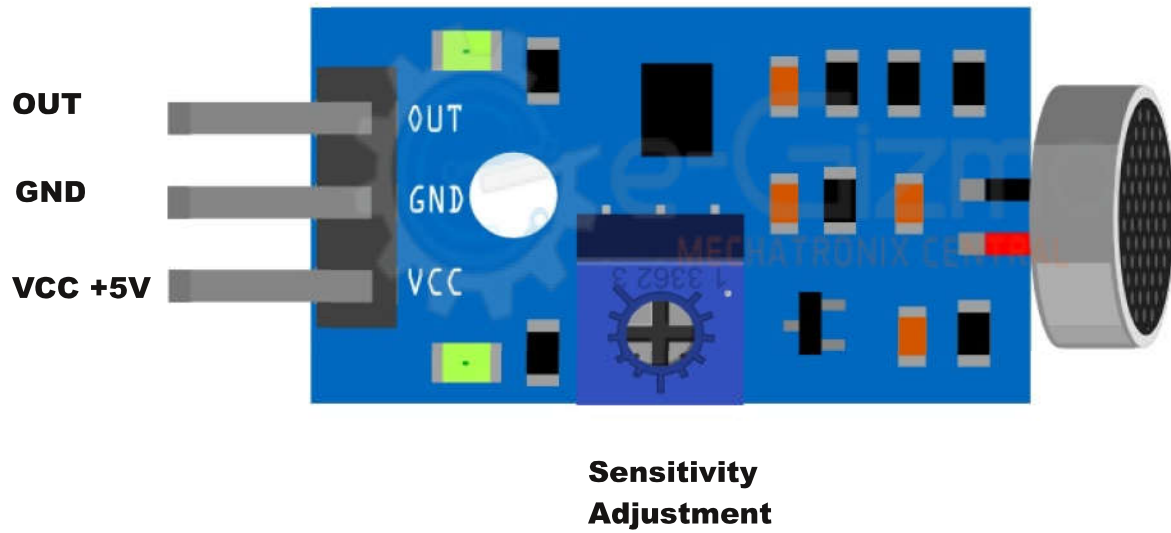
**Output:** Digital Output

0 - detected, 1 - no detection

**On board IC:** LM393 comparator IC

**Sensor:** Electret Mic

**PCB Dimensions:** 31.5mm x 17mm

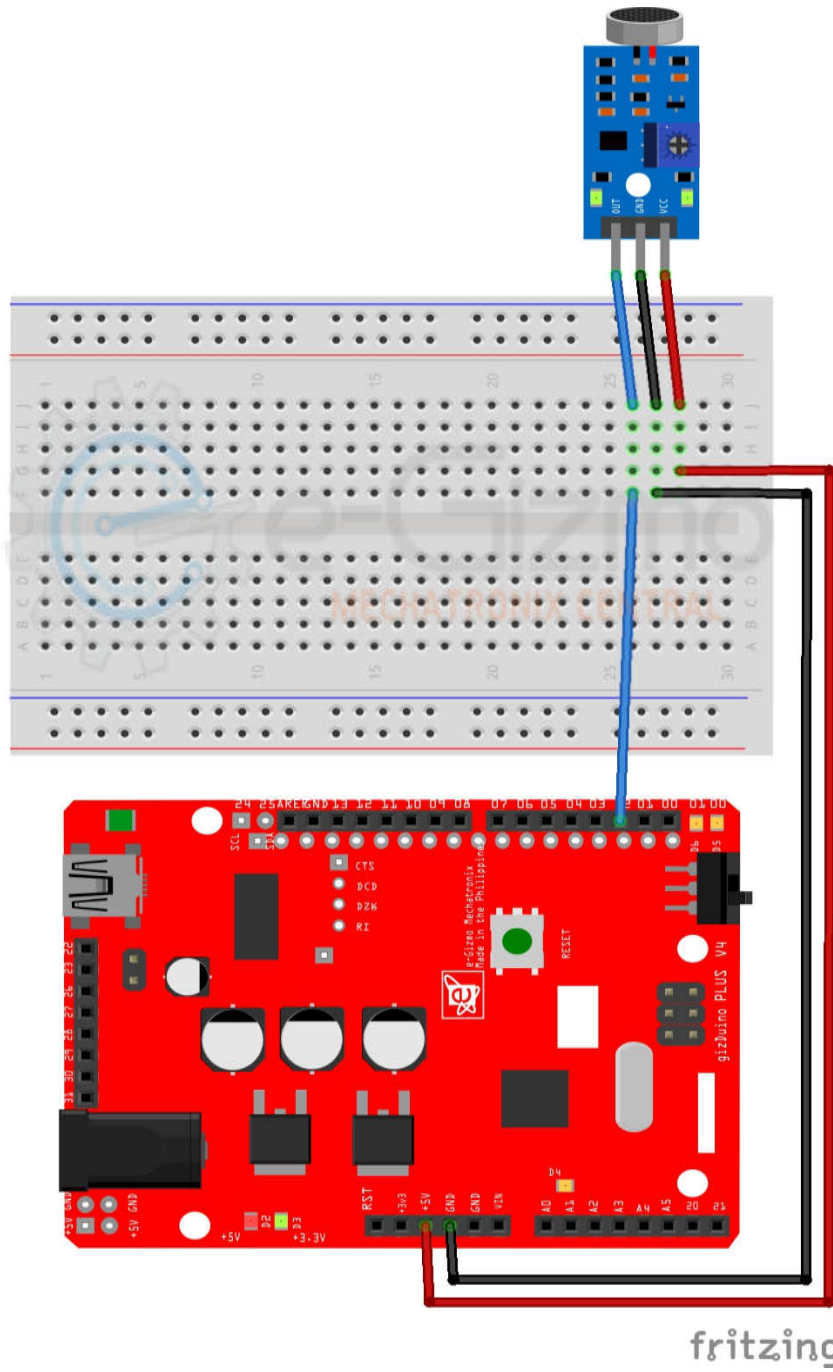


**Figure 1: Major parts of Sound sensor module.**

**Wiring Connections:**

**Gizduino to Sound sensor**

<b>+5V</b>	<b>VCC</b>
<b>GND</b>	<b>GND</b>
<b>D2</b>	<b>OUT</b>



```
/*  
  e-Gizmo Sound detector  
  
  This example code reads a digital input on D2,  
  then prints the result to the serial monitor.  
  
  Codes by  
  e-Gizmo Mechtronix Central  
  http://www.e-gizmo.com  
  August 10,2017  
*/  
  
// pins assignment  
int OUTPUT_PIN = 2;  
  
void setup() {  
  // initialize serial communication at 9600 bits per second:  
  Serial.begin(9600);  
  // set D2 on an input mode  
  pinMode(OUTPUT_PIN, INPUT);  
}  
  
void loop() {  
  // read the input D2 pin  
  int OUTPUT_STATE = digitalRead(OUTPUT_PIN);  
  // print out the result  
  Serial.println(OUTPUT_STATE);  
  delay(1);    // delay  
}
```

