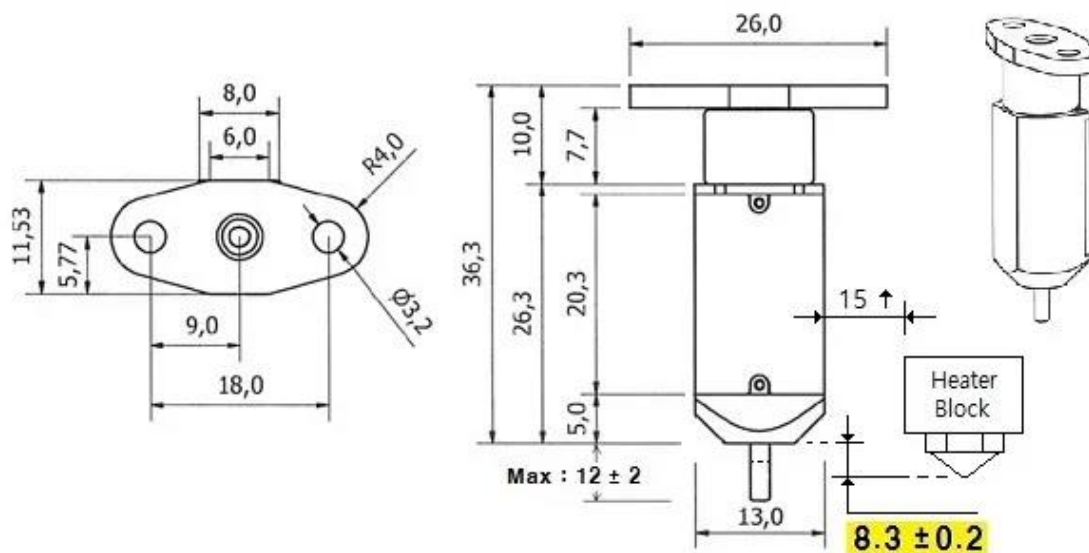


Auto Leveling Sensor 3d printer z-probe touch Auto Bed Leveling Sensor Touch for 3D Printer Improve Printing Precision

Voltage	5V
Current	15mA
Maximum(Peak)Current	300mA
Color	Semitransparent Black
Cable Length	150mm
Weight	0.35 oz(10g)
Wiring	3Pin:Black(-,GND)
	Red(+5V)
	Blue(control Signal)
	2Pin:Black(-,GND)
	Yellow(Zmin)



3D printer z-probe Touch uses the same servo signal which used in previous servo line.

- Solenoid Push-pin Up ➔ servo signal 90Degree(ex : M280 Po S90)
- Solenoid Push-pin Down ➔ servo signal 10Degree(ex : M280 Po S10)
- Manual Self-test ➔ servo signal 120Degree(ex : M280 Po S120)
- Alarm Release ➔ servo signal 160Degree(ex : M280 Po S160)

※ 3D printer z-probe Touch can be operated in the following condition.

- One I/O (PWM or Software PWM) for control
- One I/O for Zmin
- GND and +5V power

However, Firmware updating might be needed on a case.

If you use this on an Anet A8 then you need to cross over the YELLOW & BLUE wires. Couldn't figure out why it wouldn't work until I read the head unit. The Yellow is the endstop and the Blue is the pwm input, I just cut them and reversed them.

