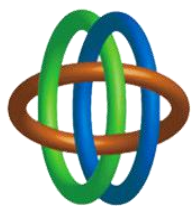


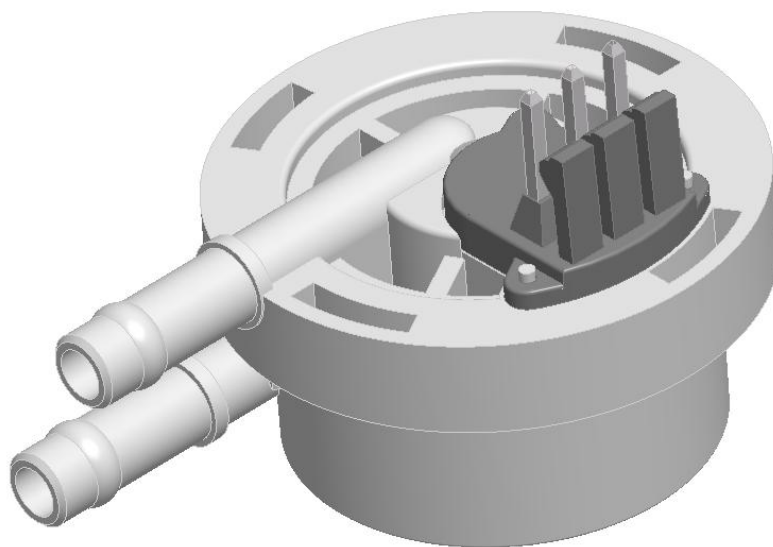
专利产品/ Patente



深圳市能点科技有限公司

SHENZHEN EPT TECHNOLOGY CO., LTD.

规格书 SPECIFICATION



FM-HL2124

霍尔流量计

Hall flowmeter



版本 Version: A

日期 Date: 2021/07/28

www.eptsz.com

www.eptsensor.com

目录页/Table of Content

1. 修订记录/Revision History
2. 应用领域/Application
3. 产品特征/General Features
4. 电气参数特性/Electrical Specification
5. 推荐应用电路/Recommended Application Circuit
6. 注意事项/Precautions
7. 包装/Packing
8. 尺寸和推荐安装/Outline Drawing and Recommended installation



2. 应用领域/Application

饮水机/ Water dispenser
 热水器/Water heater
 咖啡机/Coffee maker
 小流量控制应用/ Small flow control needed appliances

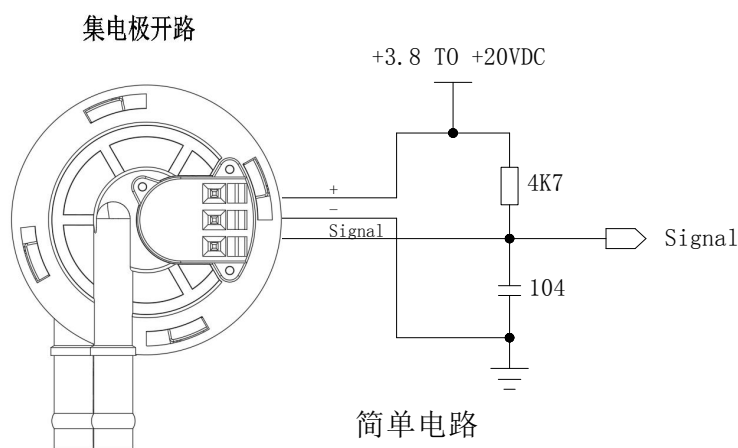
3. 产品特征/Product Features

体积小,成本低
 Small in size and low in cost
 流量精度高,可靠性好,寿命长
 High flow accuracy and reliability and long operating time
 重量轻,自身可供四方位组装,安装方便
 light in weight, self-as semblance from four directions and easy to install

4. 电气参数特性/ Electrical Specification (Ta=25°C)

参数//Parameter	符号/Symbol	典型值/Min	极限值/limit	单位/units
工作电压/Supply Voltage	Vs	5	20	V
输出电压/Output Voltage	V _{OUT}		20	v
输出电流/Output Current	I _{OUT}		50	mA
饱和电压/Saturation Voltage	V _{DSON}		0.4	v
待机电流/Standby Current	I _S		5	mA
工作温度/Operating Temperature	T _{opr}	5~+65		°C
存储温度/Storage Temperature	T _{stg}	-10~+70		°C
工作寿命/Working Life	Life	50000		h

5. 推荐应用电路/Recommended Application Circuit



本规格书为相应产品作业之标准,在客户确认后,会作为生产、供货唯一依据,应在生产前作仔细确认。
 This specification would be the standard for the production, after confirmed by clients, it would be the only rule that should be followed, please check it carefully before production.

6. 注意事项/Precautions

确保流体没有快速的脉冲波动

Insure no fast pulse flucuations of the fluid.

确保没有反向激增压力

Insure no reverse surge pressure.

确保整个流道系统里没有空气

Insure no air in the entire circulation system.

注意流量计的安装位置

Notice the mounting position of the flowmeter.

最小/最大流量应在流量计线性范围内

Min/max flow should be within the linear range of the flowmeter.

适当的时间间隔后应清洗系统

System should be cleaned after an appropriate time.

避免有电流冲击

Avoid current impact.

连接端子不可接错，否则会损毁流量计

Misconnection to the joint terminal will damage the flowmeter.

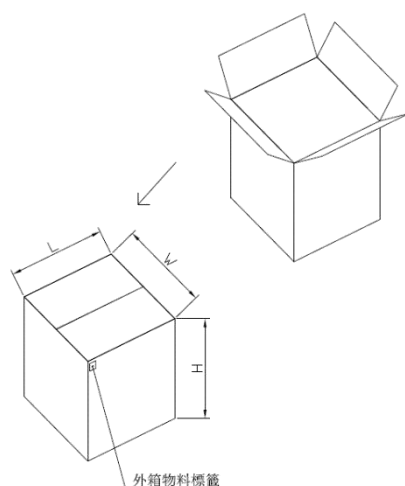
不可在联接端子上施加机械应力

No mechanical stress on the joint terminal.

不能有雾气积聚在连接端子上

No fog accumulation on joint terminals.

7. 包装/ Package



说明：

1. 外箱尺寸：34X27.5X33.5 CM

1箱产品数量：650 PCS

1盒产品数量：25 PCS

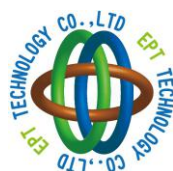
Description:

1. Outer box size: 34X27.5X33.5 CM

one box product quantity: 650 PCS

one box of products: 25 PCS

8. 尺寸和推荐安装/Outline Drawing and Recommended Installation



本规格书为相应产品作业之标准，在客户确认后，会作为生产、供货唯一依据，应在生产前作仔细确认。
This specification would be the standard for the production, after confirmed by clients, it would be the only rule that should be followed, please check it carefully before production.

1 2 3 4 5 6

A

B

C

D

E

F

G

H

A

B

C

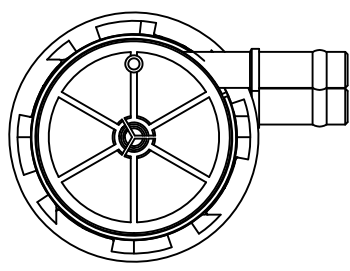
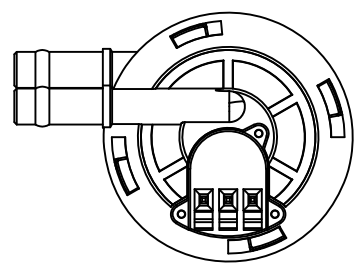
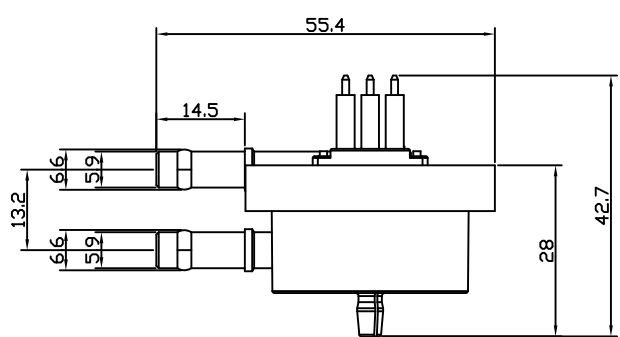
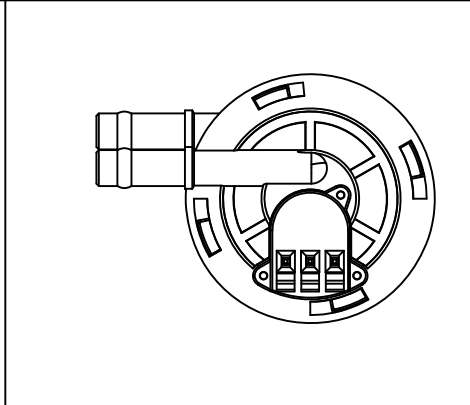
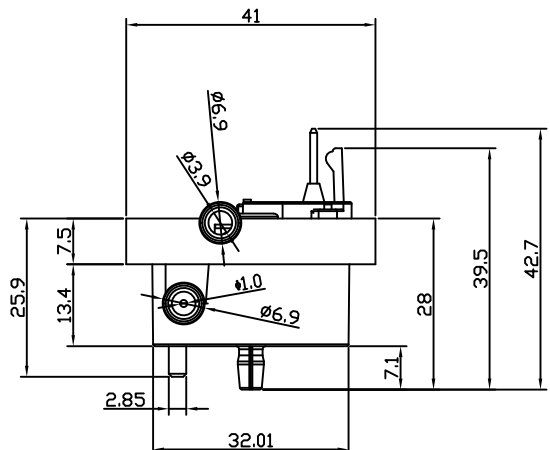
D

E

F

G

H



耐温 Temperature resistance	*	耐压 Withstand voltage	*
鍍錫 Tin plating	*	長度 Length	*
UL線規 UL wire gauge	*	UL編號 UL number	*
顏色 Colour	Black	線號 Line number	*

線材規格
Wire specification

腳距 Foot distance	*	孔數 Number of holes	3
顏色 Colour	White	型號 Model	

端子規格
Terminal Specifications

设计 Designer	Chen	材料 Material	*	单位 Unit	mm
检查 Checked	Chen	表面处理 Finish	*	比例 Scale	1:1
审批 Approver	Wei	数量 Quantity	*	篇幅 Size	*
一般公差 Tolerances	0-10	±0.10	0.8	备注 Remarks	*
	10-35	±0.15		视图 View	
	35-70	±0.20			



能点科技有限公司
EPT technology co., LTD

产品名 Product Name	FM-HL2124	日期 Date	21-07-28
零件名 Part name	产品图	版本 REV	A
图号 DWG NO.	*	页数 Pages NO.	1/2

1 2 3 4 5 6

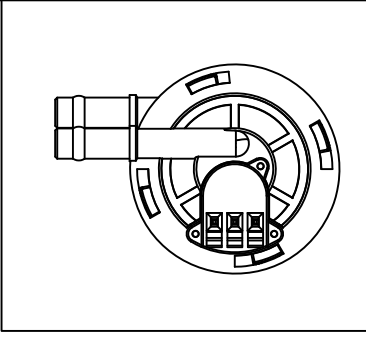
1 2 3 4 5 6

A

A

B

B

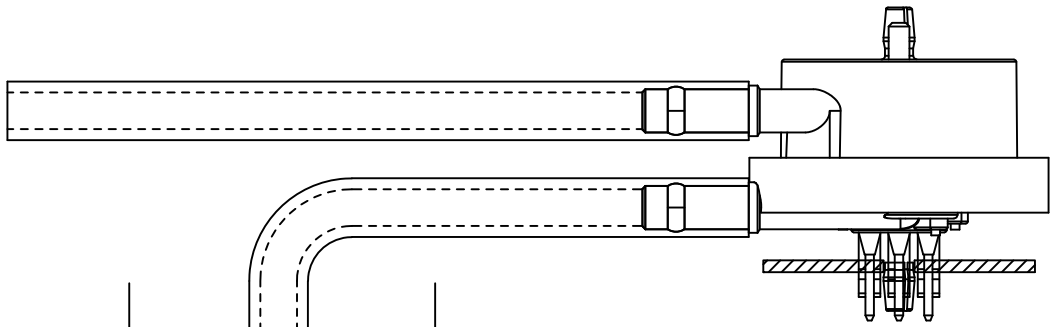


流量计安装方向如图，插针朝上

C

C

VACUUM PUMP
SUCTION SIDE



FOR ACCURACY, FLOW METER
SHOULD BE HORIZONTAL
INSTALLED

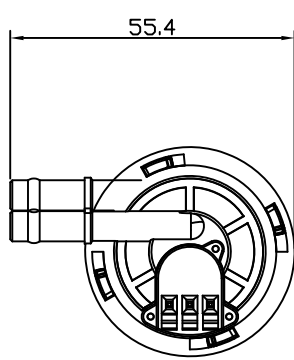
D

D

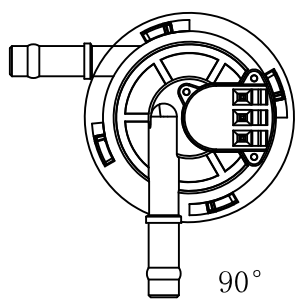
TANK

E

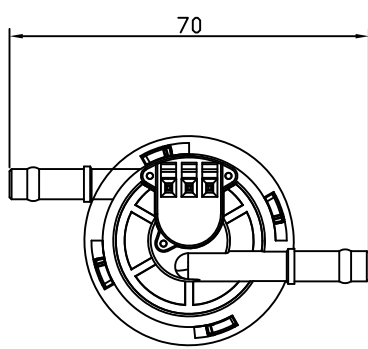
E



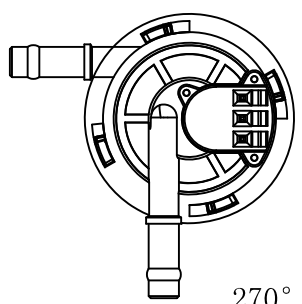
0°



90°



180°



270°

F

F

G

G

设计 Designer	Chen	材料 Material	*	单位 Unit	mm	能点科技有限公司 EPT technology co., LTD			
检查 Checked	Chen	表面处理 Finish	*	比例 Scale	1:1				
审批 Approver	Wei	数量 Quantity	*	篇幅 Size	*	产品名 Product Name	FM-HL2124	日期 Date	21-07-28
一般公差 Tolerances	0-10	±0.10		备注 Remarks	*	零件名 Part name	安装示意图	版本 REV	A
	10-35	±0.15			视图 View		图号 DWG NO.	*	页数 Pages NO.
35-70	±0.20								

1 2 3 4 5 6

H

H