

IP-COM

Installation Guide

G1105P-4-63W

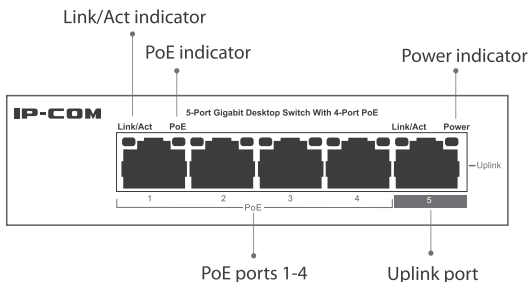
5-Port Gigabit Desktop Switch with 4-Port PoE

Packing List

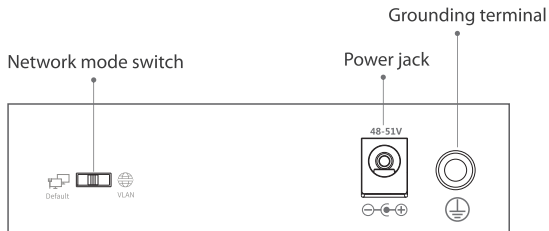
- Switch *1
- Power adapter *1
- Installation guide *1


If any item is missing or damaged, please keep the original package and contact the local reseller or distributor immediately.

1. Get to Know Your Device



Indicator	Name	Status Description
Link/Act (located in the upper-left corners of ports 1-5)	Connection status indicator	Solid on: The port is connected properly.
		Blinking: The port is transmitting or receiving data.
		Off: The port is not connected properly or not connected to a device.
PoE (located in the upper-right corners of ports 1-4)	PoE status indicator	Solid on: The port is connected to a powered device and power supply is normal.
		Off: The port is not connected to a powered device, or is not supplying power.
		Blink once: The power requirement of the powered device connected to the port is greater than the maximum power output of the port. Blinking: The total power requirement is greater than the maximum power output of the switch and the power supply of the powered device connected to the port is faulty.
Power	Power indicator	Solid on: The switch has been powered on properly.
		Off: The switch is not connected to a power supply properly or not connected to a power supply.



Port/Switch/Connector	Name	Description
PoE 1~4	PoE ports 1-4	PoE ports for supplying power to and exchanging data with powered devices compliant with the IEEE 802.3af and IEEE 802.3at standards.
Uplink 5	Uplink port	Non-PoE port for connecting to a router or core switch.
Default/VLAN	Network mode switch	Default: In this mode, all the ports of the switch can communicate with each other. VLAN: In this mode, ports 1-4 of the switch cannot communicate with each other, but can communicate with port 5 (uplink port).
48-51V	Power jack	Connected to a receptacle using the power adapter included with the package to supply power to the switch.
	Grounding terminal	Connected to a protection ground cable for lightning protection.

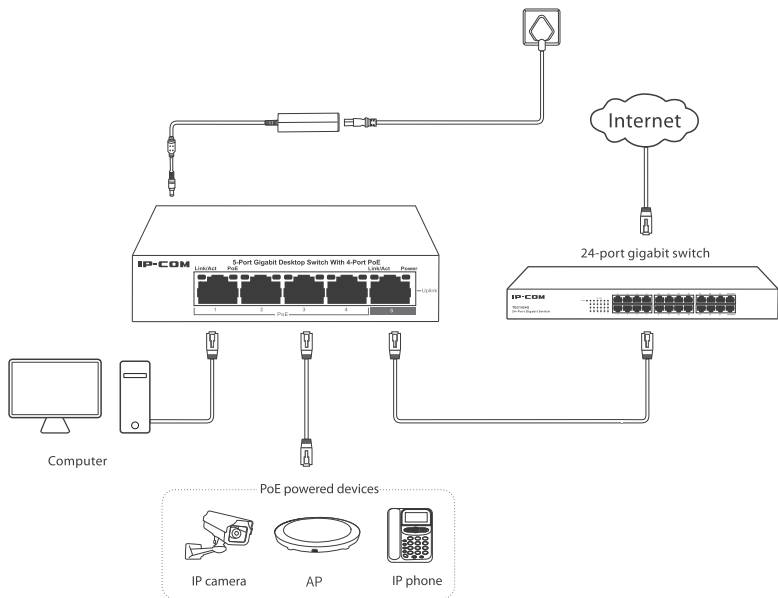


Note

The PoE ports are assigned power supply priorities, so as to protect the switch in case of overload. The power supply priority decreases as the port number increases. When the total power requirements of the powered devices is greater than 58W, the switch keeps cutting the power supply of the port that has the lowest priority until the total power requirement is not greater than 58W.

For example, when ports 1, 2, and 4 are supplying power properly and the total power requirement is 46.2W, the power supply of port 4 is cut as soon as you connect a device that requires 12W power to port 3.

2. Connecting Devices



Note

The ports of this switch support Auto MDI/MDIX. You can use straight-through or crossover Ethernet cables to connect the switch to peer devices.

► Specifications

Specification		Description
Network standard		IEEE 802.3, IEEE 802.3u, IEEE 802.3ab, IEEE 802.3af, IEEE 802.3at, and IEEE 802.3x
Port	Number of ports	10/100/1000Mbps downlink PoE port * 4 10/100/1000Mbps uplink port * 1
	Lightning protection	6 kV
	Mode	The following modes are supported: Default: In this mode, all the ports of the switch can communicate with each other. VLAN: In this mode, ports 1-4 of the switch cannot communicate with each other, but can communicate with port 5 (uplink port).
Performance	Store-and-forward	Supported
	MAC address table	2 k
	Backplane bandwidth	10 Gbps
	Packet forwarding speed	10 BASE-T: 14881 pps/port 100 BASE-TX: 148810 pps/port 1000 BASE-T: 1488100 pps/port
	Restart duration after failure	≤ 10s
Power supply	Input and output	Input: 100-240V AC, 50/60 Hz Output: 51V DC, 1.25A
	Total power consumption	63 W
PoE	PoE power supply standard	IEEE 802.3af and IEEE 802.3at
	PoE power cable core	8 cores
	Maximum power output of one port	30 W
	Maximum power output of switch	58 W
Dimensions (L * W * H)		100 mm * 100 mm * 26 mm
Environments	Operating environment	Operating temperature: 0°C-40°C Operating humidity: 10%-90%RH, non-condensing
	Storage environment	Storage temperature: -40°C-70°C Storage humidity: 5%-90%RH, non-condensing



CE Mark Warning

This is a Class A product. In a domestic environment, this product may cause radio interference, in which case the user may be required to take adequate measures.

For Pluggable Equipment, the socket-outlet shall be installed near the equipment and shall be easily accessible.

WARNING: The mains plug is used as disconnect device, the disconnect device shall remain readily operable.

NOTE: (1) The manufacturer is not responsible for any radio or TV interference caused by unauthorized modifications to this equipment.

(2) To avoid unnecessary radiation interference, it is recommended to use a shielded RJ45 cable.



FCC Statement

This equipment has been tested and found to comply with the limits for a Class A digital device, pursuant to Part 15 of the FCC Rules. These limits are designed to provide reasonable protection against harmful interference when the equipment is operated in a commercial environment. This equipment generates, uses, and can radiate radio frequency energy and, if not installed and used in accordance with the instruction manual, may cause harmful interference to radio communications. Operation of this equipment in a residential area is likely to cause harmful interference in which case the user will be required to correct the interference at his own expense.

This device complies with Part 15 of the FCC Rules. Operation is subject to the following two conditions:

(1) this device may not cause harmful interference, and (2) this device must accept any interference received, including interference that may cause undesired operation.

Caution!

Any changes or modifications not expressly approved by the party responsible for compliance could void the user's authority to operate the equipment.

NOTE: (1) The manufacturer is not responsible for any radio or TV interference caused by unauthorized modifications to this equipment.

(2) To avoid unnecessary radiation interference, it is recommended to use a shielded RJ45 cable.



Caution:

Adapter Model: BN031-A65051

Manufacture: SHENZHEN HEWEISHUN NETWORK TECHNOLOGY CO., LTD.

Input: 100-240V ac 50Hz/60Hz 1.2A Max

Output: 51V DC 1.25A

 : DC Voltage







RECYCLING

This product bears the selective sorting symbol for Waste electrical and electronic equipment (WEEE). This means that this product must be handled pursuant to European directive 2012/19/EU in order to be recycled or dismantled to minimize its impact on the environment.

User has the choice to give his product to a competent recycling organization or to the retailer when he buys new electrical or electronic equipment.

Producto	NOMBRE DEL PRODUCTO: Conmutador de escritorio de 5 puertos Gigabit con 4 puertos PoE Modelo: G1105P-4-63W	
Alimentador de Energía: Alimentación: 100-240V CA 50/60Hz, 1.2A Salida: 51V CC 1.25A	 	
PAIS DE ORIGEN: CHINA		

Technical Support

Address: Room 101, Unit A, First Floor, Tower E3, No.1001, Zhongshanyuan Road,
Nanshan District, Shenzhen, China. 518052

Tel: (86 755) 2765 3089

E-mail: info@ip-com.com.cn

Website: <http://www.ip-com.com.cn>

Copyright

©2017 IP-COM Networks Co., Ltd. All rights reserved.

This documentation (including pictures, images, and product specifications, etc.) is for reference only. To improve internal design, operational function, and/or reliability, IP-COM reserves the right to make changes to the products described in this document without obligation to notify any person or organization of such revisions or changes.