

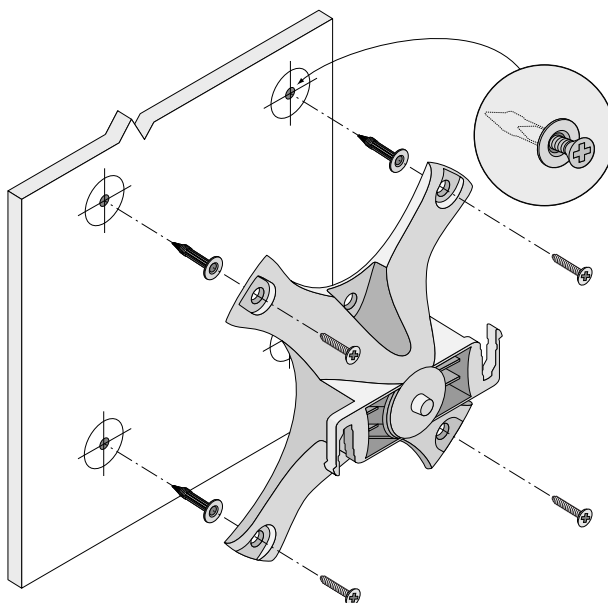
AP-220-MNT-W1 Wall Mount Kit

Installation Guide

The AP-220 Series Wall Mount kit (AP-220-MNT-W1) allows you to mount your AP-220 Series access point to a wall.

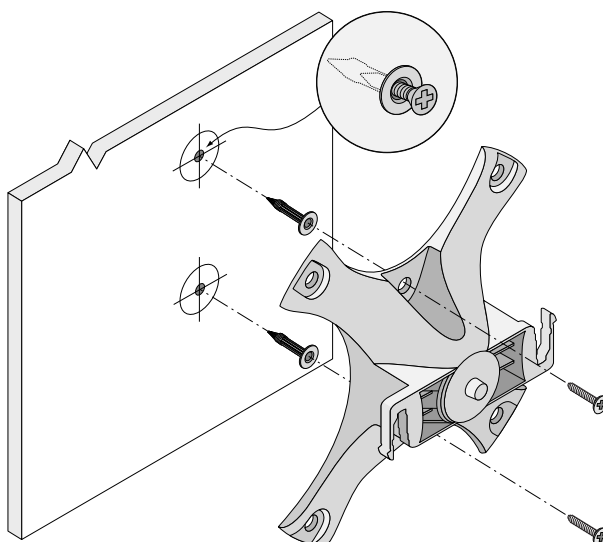
1. Begin by attaching the wall mount adapter to the wall as shown in [Figure 1](#) or [Figure 2](#).
 - a. Install any necessary wall anchors. Wall anchors are not included in this kit.
 - b. Align the screw holes in the mounting bracket with the previously installed anchors or demarcated screw points.
 - c. Insert the screws to secure the mounting bracket. Screws are not included in this kit.

Figure 1 *Attaching the Adapter to a Wall*



AP-220_11

Figure 2 *Attaching the Adapter to a Wall (Alternate)*



AP-220_14

2. Attach any necessary cables and/or antennas to the AP.
3. Attach the AP to the secured mounting adapter as shown in [Figure 3](#).
 - a. Align the AP with a mounting adapter, placing the AP so that its mounting tabs are at an angle of approximately 30 degrees to the adapter.
4. Pushing toward the wall, rotate the AP clockwise until it clicks into place (see [Figure 3](#))

Figure 3 Attaching the AP to the Mounting Bracket

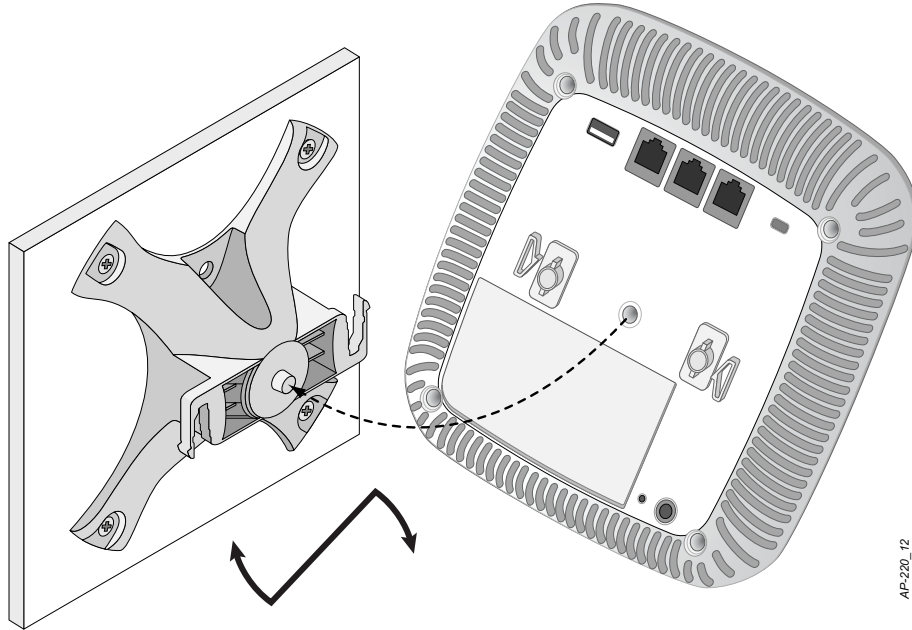
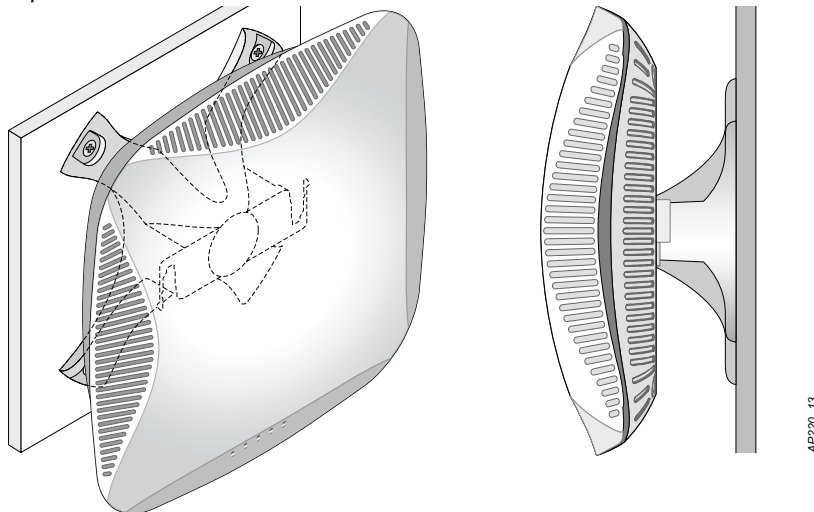


Figure 4 Completed Installation



www.arubanetworks.com

1344 Crossman Avenue
Sunnyvale, California 94089

Phone: 408.227.4500
Fax 408.227.4550