

PoE Injector Accessories

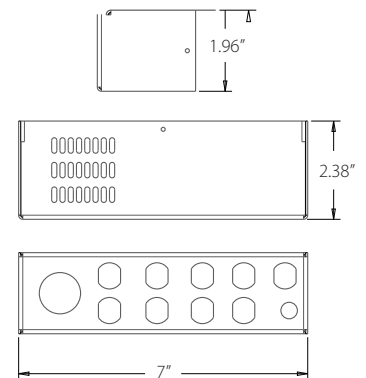


		PWR-P-POE15	PWR-P-POE30	SBP-B-M12
Description		15W PoE Injector	30W PoE Injector	M12 Back Panel
Materials	Body	Plastic cap, metal adapter plate	Plastic cap, metal adapter plate	.048" Steel
	Bubble	N/A	N/A	N/A
Temperature	Operating	0°C~40°C - 32°F~104°F	0°C~40°C - 32°F~104°F	N/A
	Storage	-20°C~70°C - -4°F~160°F	-20°C~70°C - -4°F~160°F	N/A
PoE Port		Supports 10/100/1000M Base-T Applications up to 100M (300 Ft.)	Supports 10/100/1000M Base-T Applications up to 100M (300 Ft.)	N/A
PoE Standard		Up to 15.4W - IEEE802.3AF	Up to 30W - IEEE802.3AT	N/A
Dimensions (WxHxD)	External	N/A	N/A	7 x 2 x 2.5 (in)
	Internal	N/A	N/A	N/A
Weight		0.8 lbs	0.8 lbs	2.5 lbs
Input		AC100-240V, 50/60Hz	AC100-240V, 50/60 Hz	N/A
Output		54VDC, .03A	54VDC, .06A	N/A
Color		Black	Black	Black
Applicable Model		N/A	N/A	SRM-872
Description		N/A	N/A	Converts RJ45 to 4-pin M12 connector (no PoE)

* Design and specifications are subject to change without notice

Dimensions

Unit: inch



SBP-B-M12