

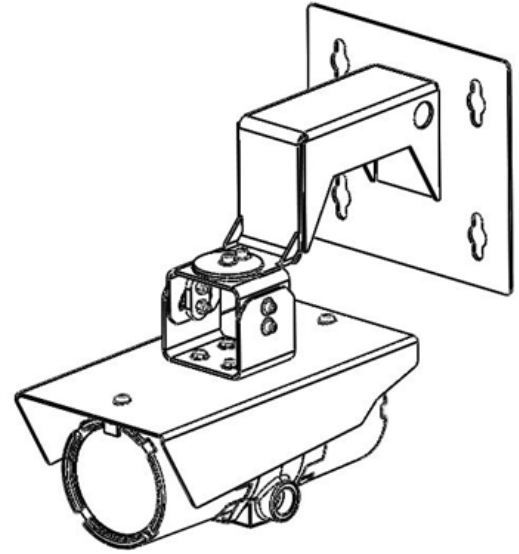
HT-F1XX-WM

Wall Mount

The HT-F1XX-WM Wall Bracket is designed with 316L Stainless Steel and used to mount compatible explosion proof cameras to a wall. For indoor and outdoor applications.

Compatibility:

- TNO-X6072EPT1-Z
- TNO-X8072EPT1-Z
- TNO-X6322EPT1-Z



Dimensions

