

HCH-7060-CHG

6 Bay Cradle Charger

Charger Specifications:

Temperature Limits:

Operating Range: 0°C to +40°C
Storage Range: -10°C to +50°C

Dimensions:

Width: 6.3 inches (160 mm)
Length: 24.8 inches (630 mm)
Height: 4.5 inches (114 mm)
without batteries or device inserted.
Weight: 5.6 lb (2500 g)

Warranty:

Each charger is guaranteed to be free from defects in materials and workmanship for 24 months from date of shipment under normal use.



Compatible Batteries:

- HMC70-Li(22) Honeywell® Battery
- HMC70-Li(36) Honeywell® Battery
- HMC70-Li(48) Honeywell® Battery

- Highest quality cells used.
- Longer cycle life.
- Extremely rugged.
- Rigorous testing.

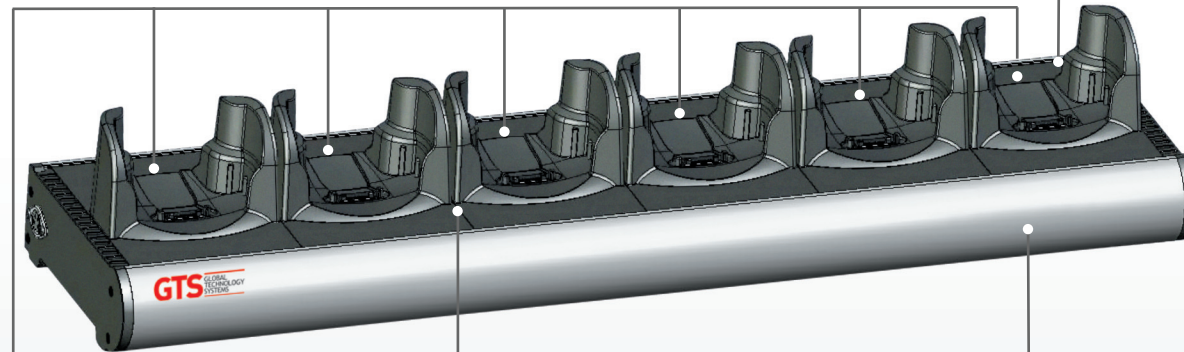


Made of highly rugged aerospace grade aluminium housing.

Includes power supplies and cable.

Dual-chemistry charger

Supports Li-Ion and Li-Polymer chemistries.



More charging in less space

Charges 50% more batteries in same space as OEM charger.

Tri-color charging indications

A charging LED indicates charging status.



Hassle-free mounting

Utilizes same mounting bracket as Symbol® chargers for easy wall mounting.