

# BEAM MOVING HEAD USER MANUAL



please keep read this manual carefully for further use!

Thank you for buying our professional Beam moving head.

This user manual includes important information for installation and operation, so please read this user manual carefully before installation and operation, and keep this user manual well for further use.

In order to install , operate, and maintain the lighting safety and correctly. We suggest that the installation and operation should be done by the verified technician and follow the instruction strictly.



**spare part includes:**


Name	QTY	Unit
Fixture	1	PC
User manual	1	PC
Power cable	1	PC

Please check carefully that there is no damage caused by transportation. Should there be any, consult your local dealer.

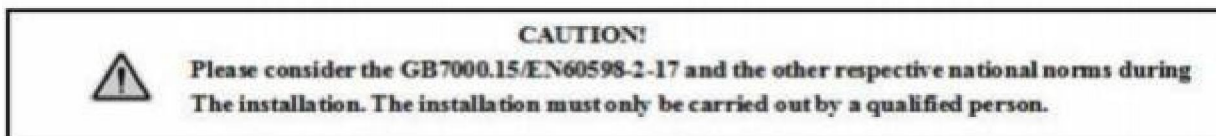
**cautions**

Before delivery, this device has passed strict inspection, please follow the user manual strictly for operation, if this fixture is damaged by improper operation and mistake, the fixture will be out of warranty, and manufacturer or dealer won't be responsible for it. In case of any technology change in this manual, we won't advise in further .

<b>CAUTION!</b>	
	<b>Keep this device away from rain and moisture!</b>
	<b>Unplug mains lead before opening the housing!</b>

<b>Warning!</b>	
	<b>Damages caused by the disregard of this user manual are not subject to warranty. The dealer will not accept liability for any resulting defects or problems.</b>

## Installation



This fixture is not suitable for direct installation on combustible material surface, please keep the

fixture surface at least 0.5m from any combustible material.

- If you use the quick lock cam in hanging up the fixture, please make sure the quick lock fasteners turned in the quick lock holes correctly.

The applicable temperature for the fixture is between  $-25^{\circ}\text{C}$  to  $45^{\circ}\text{C}$ . Do not use the lighting under or above this temperature range.

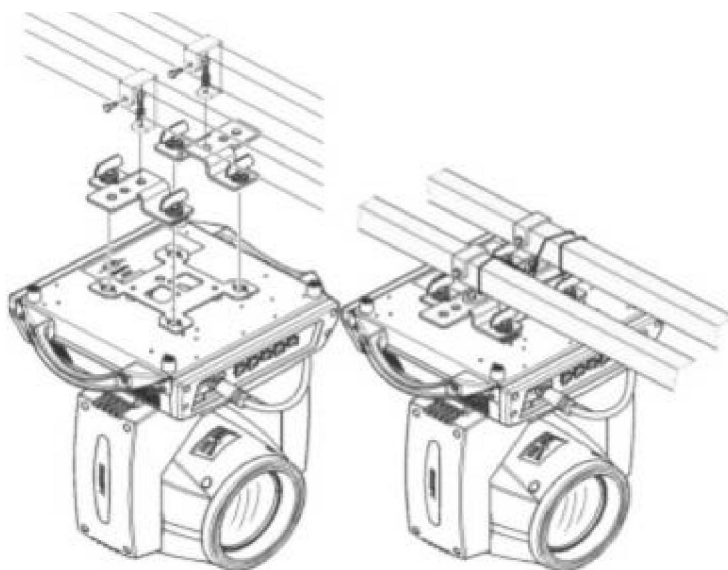
The truss for hanging the fixture should be able to hold 10 times weight of this fixture and no deformation after 1 hour hang.

Please don't stand under the fixture when install, uninstall, move or repair the fixture.

Please ensure the light is connected correctly and invite professional technician to check and confirm the electrical data before installation.

Please invite professional technician to check the fixture and installation each year.

## Rigging :



Insert the quick-lock fasteners of the first holder into the respective holes on the bottom of the device. Tighten the quick-lock fasteners fully clockwise.

Fix the clamp on truss or other fixture bracket.

Pull the safety rope through the holes on the bottom of the base and fasten it on the truss or other fixing point.

Note: This step is quite important to ensure that fixture will not drop down for the clamp damage.

## product specification

1. Voltage: 100-240V , 50/60HZ;
2. Power Consumption: 450W;
3. Lamp: 295W
4. color Temp: 8000K;
5. DMX channel: 16/19 CH
6. Control mode: auto/master-slave/DMX/Sound activated/RDM
7. Pan: 540°(8/16bit) electronic error correction;
8. Tilt: 270° (8/16bit) electronic error correction;
9. Color wheel: 14 colors+white
10. 4 glass patterns, 8 solid drawings and running water
11. Prism: 1pc 8+16+24 facets prism, 1pc 8-facet prism and 1pcs, 2pcs facet prism can rotate bidirectionally.
12. Frost, wash beam angle 5-30°
13. Colorful 1pcs
14. linear focus and electrical dimming: 0%~100% linear;
15. Strobe: 0.5- 14Hz
16. Over- heat protection; Display: LCD
17. IP rate: IP20;
18. N.W: 14KG;

## Display and operation

Main Menu	Second	Third	Fourth
Dmx Address	000 - 512		
Fixture	Dmx Mode	19CH	
	Run Mode	DMX / Host	
	Pan Invert	Close / Open	
	Tilt Invert	Close / Open	
	XY Sensor	Close / Open	
	No DMX State	Close / Open	
	Lamp On Power	Close / Open	
	Lamp Control	Close / Open	
Manual	Color Wheel	000 - 255	
	Strobe	000 - 255	
	Dimmer	000 - 255	
	Fixed Gobo	000 - 255	
	ÿ	ÿ	
Information	Time	Current Time	xxxxxH
		Total Time	xxxxxH
		Lamp Time	xxxxxH
		Power Count	xxxxx
		Lamp Count	xxxxx
	Sensor	Pan	
		Tilt	
		Temp	
		ÿ	
	Software Version	Panel	Vx. xx
Motor		Vx. xx	

<b>Factory</b>	Password	000 - 255	
	Pan	000 - 255	
	Tilt	000 - 255	
	Strobe	000 - 255	
	Color	000 - 255	
	Fix Gobo	000 - 255	
	ÿ	ÿ	
<b>Reset</b>	XY Reset	Cance / Run	
	Motor Reset	Cance / Run	
	All Reset	Cance / Run	
	Factory	Cance / Run	
<b>Display</b>	Language	CH / EN	
	Display Flip	OFF / ON	
	Display Mode	30s / Show	

Channel	Name	DMX Value	Function
1	Color	0-4	White
		5-9	White+Color1
		10-14	Color1
		15-19	Color1+Color2
		20-24	Color2
		25-29	Color3+Color3
		30-34	Color3
		35-39	Color3+Color4
		40-44	Color4
		45-49	Color4+Color5
		50-54	Color5
		55-59	Color5+Color6

		60-64	Color6
		65-69	Color6+Color7
		70-74	Color7
		75-79	Color7+Color8
		80-84	Color8
		85-89	Color8+Color9
		90-94	Color9
		95-99	Color9+Color10
		100-104	Color10
		105-109	Color10+Color11
		110-114	Color11
		115-119	Color11+Color12
		120-124	Color12
		125-129	Color12+Color13
		130-134	Color13
		135-139	Color13+White
		140-144	Color14
		145-149	Color14+White
		150-200	FAST ROTATION – SLOW ROTATION
		201-255	SLOW ROTATION – FAST ROTATION
2	Strobe	0-3	Closed
		4-103	Strobe Slow to Fast
		104-107	Open
		108-207	FAST STROBE-SLOW STROBE
		208-212	Open
		213-251	Random Strobe Slow to Fast
		252-255	Open
3	Dimmer	0-255	Linear Dimmer
4	Gobo	0-4	Gobo 1
		5-9	Gobo 2

		10-14	Gobo 3
		15-19	Gobo 4
		20-24	Gobo 5
		25-29	Gobo 6
		30-34	Gobo 7
		35-39	Gobo 8
		40-44	Gobo 9
		45-49	Gobo 10
		50-54	Gobo 11
		55-59	Gobo 12
		60-64	Gobo 13
		65-69	Gobo 14
		70-74	Gobo 1 Shake slow to fast
		75-79	Gobo 2 Shake slow to fast
		80-84	Gobo 3 Shake slow to fast
		85-89	Gobo 4 Shake slow to fast
		90-94	Gobo 5 Shake slow to fast
		95-99	Gobo 6 Shake slow to fast
		100-104	Gobo 7 Shake slow to fast
		105-109	Gobo 8 Shake slow to fast
		110-114	Gobo 9 Shake slow to fast
		115-119	Gobo 10 Shake slow to fast
		120-124	Gobo 11 Shake slow to fast
		125-129	Gobo 12 Shake slow to fast
		130-134	Gobo 13 Shake slow to fast
		135-139	Gobo 14 Shake slow to fast
		140-200	FAST ROTATION – SLOW ROTATION
		201-255	SLOW ROTATION – FAST ROTATION
5	Prism	0-63	Reserve
		64-127	prism1
		128-191	prism2

		192-255	prism1+prism2
6	Prism Rotation	0-127	Linear
		128-187	FAST ROTATION - SLOW ROTATION
		188-195	STOP
		196-255	SLOW ROTATION - FAST ROTATION
7	Frost/6Colors	0-127	Reserve
		128-191	Frost
		192-255	6Colors Effect
8	Foucs	0-255	Foucs, Linear
9	Foucs Fine	0-255	Foucs Fine, Linear
10	Pan 8bit	0-255	Pan 8bit
11	Pan 16bit	0-255	Pan 16bit
12	Tilt 8bit	0-255	Tilt 8bit
13	Tilt 16bit	0-255	Tilt 16bit
14	Pan&Titl Speed	0-255	Pan&Tilt Speed: Fast to Slow
15	Inner Effect	0-15	Reserved
		16-31	Inner Effect1
		32-47	Inner Effect2
		... ..	... ..
		240-255	Inner Effect15
16	Lamp&Reset	0-99	Reserved
		100-105	Lamp OFF
		200-205	Lamp ON
		210-215	Pan&Tilt Reset
		220-235	Small motor reset
		240-255	All motor reset
17	LED Strobe	0-49	Open
		50-199	Strobe Slow to Fast
		200-255	Random Strobe Slow to Fast
18	LED Effect	0-2	Reserved

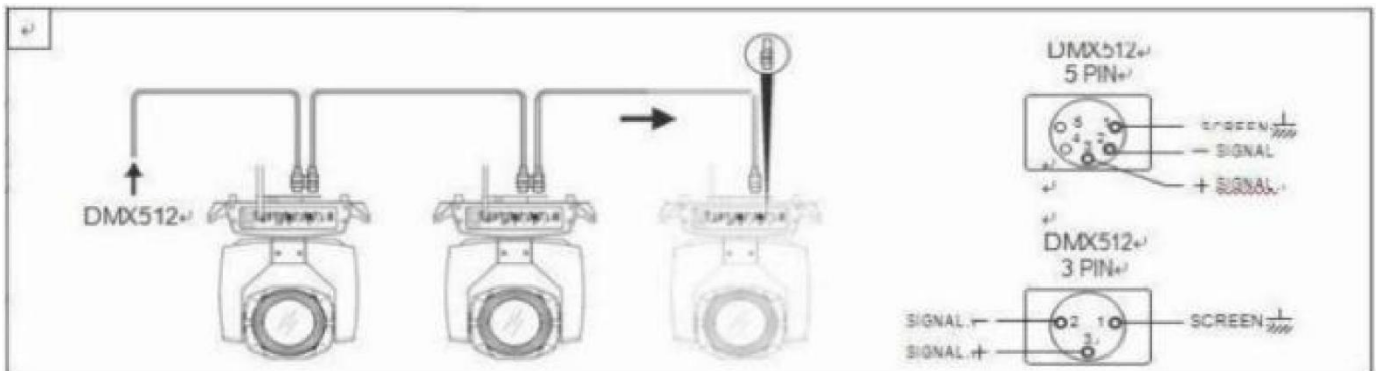
		3-5	LED Effect1
		6-8	LED Effect2
		9-11	LED Effect3
		... ..	... ..
		216-218	LED Effect72
		219-255	LED Effect73
19	LED Effect Speed	0-127	LED Effect Speed: Fast to Slow
		128-255	LED Effect Speed: Slow to Fast

## DMX--5.1.2 connection

Connect the provided XLR cable to the male 3-pin XLR output of your controller and the other side to the female 3-pin XLR input of the light. then connect the DMX signal to the first fixture to the 2<sup>nd</sup> fixture, after all fixtures are connected,

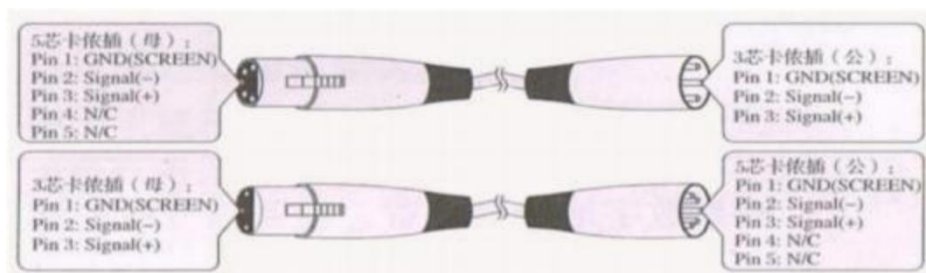
The signal cable should be two - core with screened cable with XLR input and output connectors.

Please refer to the diagram below

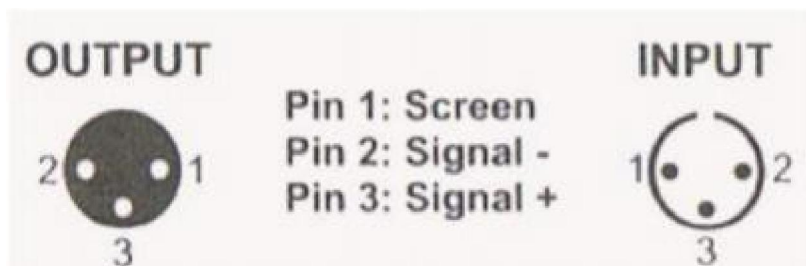


## DMx terminator connection

If there are many lines or lights, it is recommended to use a DMX terminator to prevent DMX signal corruption, An impedance matching resistor of 120ohm must be inserted between terminals 2 and 3 of the DMX terminal connector.



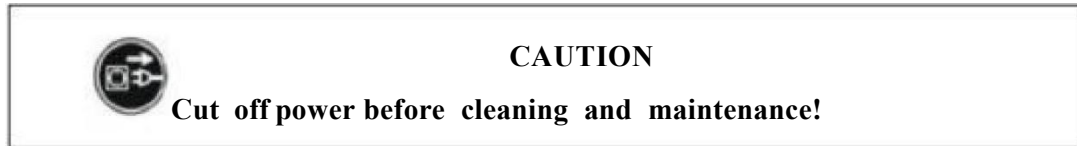
## 3 - Pins connection



cleaning and maintenance

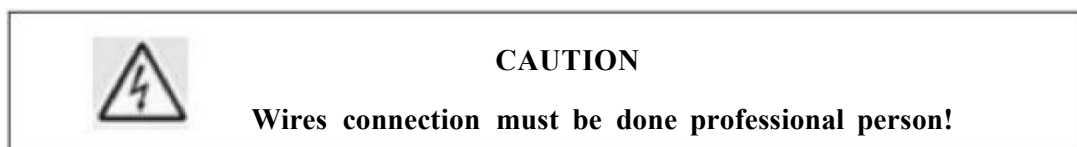
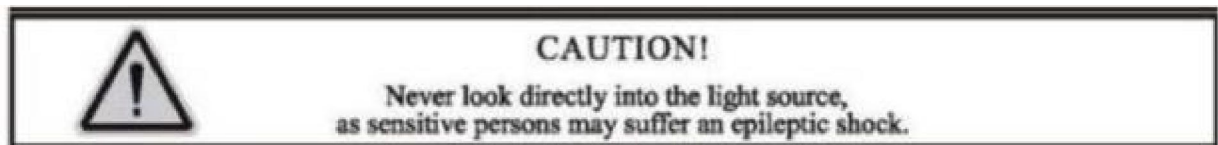
cleaning should be performed every 15-day period, by using a sponge which is dipped with

alcohol, rather than wet cloth or other chemical liquid, to clean the mirror.



Attention

Do not see directly light source when open the light, and make sure power off before do any installation or maintenance.



### cautions

Before delivery, this device has passed strict inspection, Please follow the user manual strictly for operation, if this fixture is damaged by improper operation and mistake, the fixture will be out of warranty, and manufacture or dealer won't be responsible for it. In case of any technology change in this manual, we won't advise in further .

### common issues instruction

Issues	Solve instruction
No power	Check power cable is well connected
When power in, output light but the device cannot accept control signal	Check DMX address setting and the control DMX cable connection well or not
The effect have light shadow	Check electronic focus DMX channel value, does suitable distance
Light intensity down	The lamp maybe reach end of using life, should change new lamp, and also check light source cleaning or not