

380W BEAM MOVING HEAD

USER MANUAL



Please read and keep this manual carefully for further use!

Thank you for buying our professional Beam moving head.

This user manual includes important information for installation and operation, so please read this user manual carefully before installation and operation, and keep this user manual well for further use.

In order to install , operate, and maintain the lighting safety and correctly. We suggest that the installation and operation should be done by the verified technician and follow the instruction strictly.

Spare part includes:

Name	QTY	Unit
Fixture	1	PC
User manual	1	PC
Power cable	1	PC
DMX signal cable	1	PC
Safety rope	1	PC

Please check carefully that there is no damage caused by transportation. Should there be any, consult your local dealer.

Cautions

Before delivery, this device has passed strict inspection, Please follow the user manual strictly for operation, if this fixture is damaged by improper operation and mistake, the fixture will be out of warranty, and manufacture or dealer won't be responsible for it. In case of any technology change in this manual,we won't advise in further .

CAUTION!



Keep this device away from rain and moisture!



Unplug mains lead before opening the housing!



Warning!

Damages caused by the disregard of this user manual are not subject to warranty. The dealer will not accept liability for any resulting defects or problems.

Installation

CAUTION!

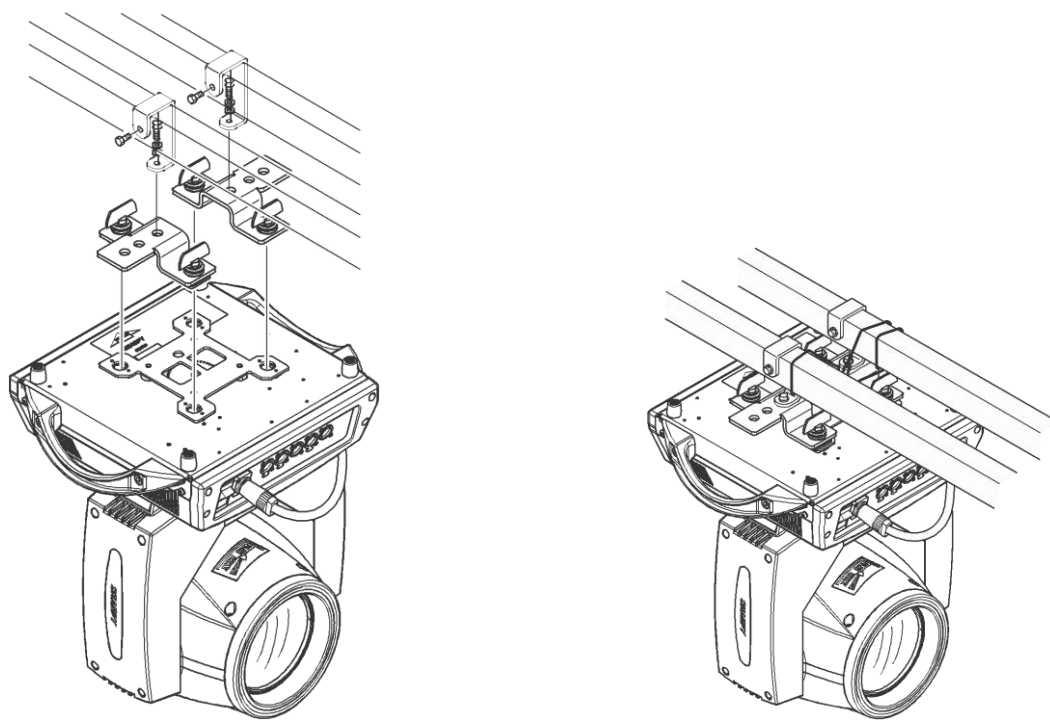


Please consider the GB7000.15/EN60598-2-17 and the other respective national norms during The installation. The installation must only be carried out by a qualified person.

► This fixture is not suitable for direct installation on combustible material surface, please keep the fixture surface at least 0.5m from any combustible material.

- ▶ If you use the quick lock cam in hanging up the fixture, please make sure the quick lock fasteners turned in the quick lock holes correctly.
- ▶ The applicable temperature for the fixture is between -25°C to 45°C. Do not use the lighting under or above this temperature range.
- ▶ The truss for hanging the fixture should be able to hold 10 times weight of this fixture and no deformation after 1 hour hang.
- ▶ Please don't stand under the fixture when install, uninstall, move or repair the fixture.
- ▶ Please ensure the light is connected correctly and invite professional technician to check and confirm the electrical data before installation.
- ▶ Please invite professional technician to check the fixture and installation each year.

Rigging:



Insert the quick-lock fasteners of the first holder into the respective holes on the bottom of the device. Tighten the quick-lock fasteners fully clockwise.

Fix the clamp on truss or other fixture bracket.

Pull the safety rope through the holes on the bottom of the base and fasten it on the truss or other fixing point.

Note: This step is quite important to ensure that fixture will not drop down for the clamp damage.

Product specification

Voltage: 100-240V, 50/60HZ;

Power Consumption: 500W;

Lamp: Chinese lamp 380W

Fuse:8A/250V, ϕ 5*20

DMX Channel: 19CH

Operation mode: master-slave/DMX/Auto

Focus: Yes

Fixed gobo: 12 gobos+open+ 5 glass gobos

Strobe: 25Hz

Color: 14 colors+open

Prism 1: 8-facet

Prism 2: 8+16-facet

Pan: 540°

Tilt: 270°

Frost / Six-color effect: Yes

RDM: Yes

Display and operation



DMX	DMX signal indicator
AUDIO	Sound control indicator
Up	menu up selection
Down	menu down selection
Left	Menu left to select/return
Right	Menu right to select
ENTER	Confirm button
time on the left	Total system usage time
time on the right	Total time of this power-on
Vertical signal at the top	Current DMX signal strength Red: No signal / White: Current signal strength
Square icon in the upper right corner	Green: OK, no errors Red: There is an error (click the icon or "Information Menu/Error Information/View" to view the error

System Menu description:

反向	Reve	Invert the screen display
退出	Exit	Exit to the main interface
Lang	语言	Choose from Chinese or English
标准设置	Standard	Address code and some common function settings
高级设置	Advanced	Main parameter factory settings
系统信息	Info	Error, software version, etc. information display
手动编程	Program	Manually control the operation, or edit the user program
测试运行	Perform	Automatic operation or Sound-controlled operation of built-in programs, user programs
系统复位	Reset	System reset to initial position

Display Setting:

Standard	Default set	Enter	Default set
	Address	001-512	Set address code
	DMX mode	Mode1 Mode2 Mode3 Mode4	Select DMX control mode
	Effect mode	No/Yes	effect wheel automatically finds the shortest distance to rotate and run
	Started lamp	Off/on	Choose to turn the bulb "on" or "off" each time
	Switch lamp	Off/on	Turn on the lamp manually
	No signal	Clear Hold	Keep DMX value or clear DMX channel value when no DMX signal
	UI Color	Green Blue Golden Gray	Choose screen menu color
	Show time	No/Yes	Display the runtime timer on the main screen
	Brightness	000-255	Adjust screen brightness
	Screensaver	Off/on	Turn off the screen when no touch and key operation
	XY encoder	No/Yes	Cancel or use the XY auto-correction function
	X inversion	No/Yes	Select X-axis to run forward or reverse
	Y inversion	No/Yes	Select Y-axis to run forward or reverse
	Focus inversion	No/Yes	Choose to run the focus forward or reverse
Zoom inversion	No/Yes	Choose to run the Zoom forward or reverse	
		- 5 -	
Advanced	This is the main parameter setting of the fixture and requires permission		

Info	Error List	No error/View	If there are no errors or there are errors, click OK to view the errors
	System ver	Vxxxxxxx	System version information
	Serial NO.	xxxxxxx	Equipment factory number
	SYS timer	00000.0H	Total system running time (hours)
	Run timer	000:00	Running time after this power-on (hours)
	Lamp timer	00000.0H	The total time of lamp on (hours)
	Equip TEMP	000	The temperature of the main part (requires device support)
	Head TEMP	000	The temperature of the head (requires device support)
	FAN 1 Speed	0000 RPM	fan 1 speed (requires equipment support)
	FAN 2 Speed	0000 RPM	fan 2 speed (requires equipment support)
Perform	Run mode	Auto/Sound	Run selected programs Auto or Sound
	Run speed	255	Set the speed of Auto running
	Run cross	255	Set run cross for Auto or Sound
	Built-in 1	Off/on	built-in test program 1
	Built-in 2	Off/on	built-in test program 2
	User PRO 1	Off/on	User-programmed program 1
	User PRO 2	Off/on	User-programmed program 2
	User PRO 3	Off/on	User-programmed program 3
	User PRO 4	Off/on	User-programmed program 4
	Circle shape	Off/on	(reserve)
	Square shape	Off/on	(reserve)
	Shape range	000	(reserve)
	Sound DB	000	Adjust the sound control sensitivity
Program	This function can program up to 4 user programs, and the 4 programs can be run in series, that is to say, the programmed 4 programs can be switched to ON at the same time in the "User-Pro" function. Go to program 2, go to program 3, then program 4, then loop back to program 1, and so on. Of course, it can also be run as a single option.		
Reset	Reset to initial position		

19 DMX channel

16CH	Function	Value	Details
1	Color whee	000-004 005 -009 010 - 014 015 - 019 020 - 024 025 - 029 030 - 034 035 - 039 040 - 044 045 - 049 050 - 054 055 - 059 060 - 064 065 - 069 070 - 074 075 - 079 080 - 084 085 - 089 090 - 094 095 - 099 100 -104 105 -109 110 -114 115 -119 120 -124 125-129 130 -134 140- 144 145- 149 150- 200 201- 255	White White+Color 1 Color 1 Color 1+color 2 Color 2 Color 2+color 3 Color 3 Color 3+color 4 Color 4 Color 4+color 5 Color 5 Color 5+color 6 Color 6 Color 6+color 7 Color 7 Color 7+color 8 Color 8 Color 8+color 9 Color 9 Color 9+color 10 Color 10 Color 10+color 11 Color 11 Color 11+color 12 Color 12 Color 12+color 13 Color 13 Color 14 Color 14+White Reverse flow (from fast to slow) Forward flow (from slow to fast)
2	Strobe	000-003 004-103 104-107 108-207 208-212 213-251 252-255	Shutter closed Strobe from slow to fast Open the shutter Pulse strobe from slow to fast Open Random strobe from slow to fast Open → (controlled by the dimming channel)
3	Dimmer & RGB	000-255	dimmer from dark to bright
4	Gobo wheel	000 - 004 005 - 009 010 - 014 015 - 019 020 - 024 025 - 029 030 - 034	White gobo 1 gobo 2 gobo 3 gobo 4 gobo 5 gobo 6

		035 - 039 040 - 044 045 - 049 050 - 054 055 - 059 060 - 064 065 - 069 070 - 074 075 - 079 080 - 084 085 - 089 090 - 129 130 - 134 135 - 169 170 - 174 175 - 179 180 - 184 185 - 189 190 - 194 195 - 199 200 - 204 205 - 209 210 - 214 215 - 219 220 - 224 225 - 229 230 - 234 235 - 239 240 - 244 245 - 249 250 - 255	gobo 7 gobo 8 gobo 9 gobo 10 gobo 11 gobo 12 gobo 13 gobo 14 gobo 15 gobo 16 gobo 17 Forward flow (from slow to fast) Stop Reverse flow (from fast to slow) gobo 1 shake slow to fast gobo 2 shake slow to fast gobo 3 shake slow to fast gobo 4 shake slow to fast gobo 5 shake slow to fast gobo 6 shake slow to fast gobo 7 shake slow to fast gobo 8 shake slow to fast gobo 9 shake slow to fast gobo 10 shake slow to fast gobo 11 shake slow to fast gobo 12 shake slow to fast gobo 13 shake slow to fast gobo 14 shake slow to fast gobo 15 shake slow to fast gobo 16 shake slow to fast gobo 17 shake slow to fast
5	Prism1	000-31 32-255	no prism prism 1
6	Prism1 rotation	000-127 128-190 191-192 193-255	Prism angle adjustment Reverse rotation (fast to slow) Stop Forward rotation (slow to fast)
7	Prism 2	000-31 32-255	no prism prism 2
8	Prism2 rotation	000-127 128-190 191-192 193-255	prism angle adjustment Reverse rotation (fast to slow) Stop Forward rotation (slow to fast)
9	Focus	000-255	Pattern clarity from near to far
10	pan	000-255	0-540 degree
11	pan fine	000-255	0-1.2 degree
12	tilt	000-255	0-270 degree
13	tilt fine	000-255	0-1.2 degree
14	XY speed	000-255	speed fast to slow

15	Frost & 6-color effect	000-127 128-191 192-255	no function 6-color effect Frost
16	Lamp control	000-025 100-105 200-205 250-255	no function Lamp off Lamp on all motors reset
17	RGB strobe	000-255	Strobe from slow to fast
18	RGB effect	000-001 002-005 006-010 011-015 016-020 021-025 026-029 030-048 049-054 055-058 059-063 064-068 069-073 074-078 079-087 088-092 093-097 098-102 103-107 108-112 113-116 117-122 123-126 127-131 132-136 137-140 141-144 145-149 150-155 156-160 161-165 166-170 161-165 166-174 175-179 180-184 185-189 190-194 195-199 200-203 204-208 209-213 214-218	Red 1 Green 2 Blue 3 Yellow 4 Rose 5 Light blue 6 White 7 Color jump 8 Effect 9 Effect 10 Effect 11 Effect 12 Effect 13 Effect 14 Effect 15 Effect 16 Effect 17 Effect 18 Effect 19 Effect 20 Effect 21 Effect 22 Effect 23 Effect 24 Effect 25 Effect 26 Effect 27 Effect 28 Effect 29 Effect 30 Effect 31 Effect 32 Effect 33 Effect 34 Effect 35 Effect 40 Effect 41 Effect 42 Effect 43 Effect 44 Effect 45 Effect 46 Effect 47

		219-223 224-228 229-232 233-237 238-242 243-247 248-252 253-255	Effect 48 Effect 49 Effect 50 Effect 51 Effect 52 Effect 53 Effect 54 Effect 55
19	RGBEffect Speed	0-255	Speed from slow to fast

Gobo Wheel

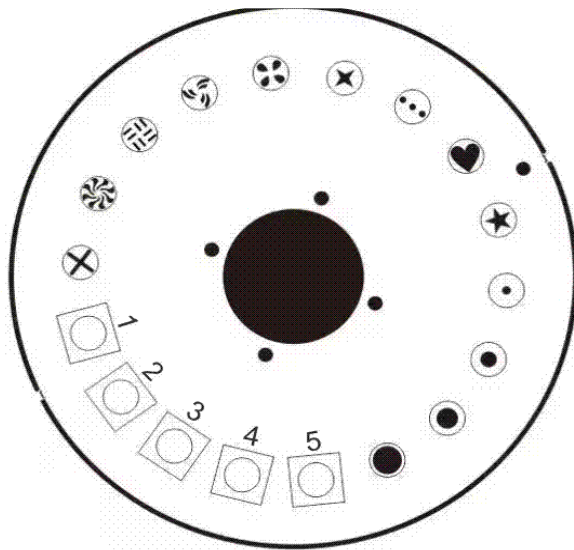
反面喷黑

外径110

中心孔28

白光孔6

小孔3.1/3.2



Color Wheel:



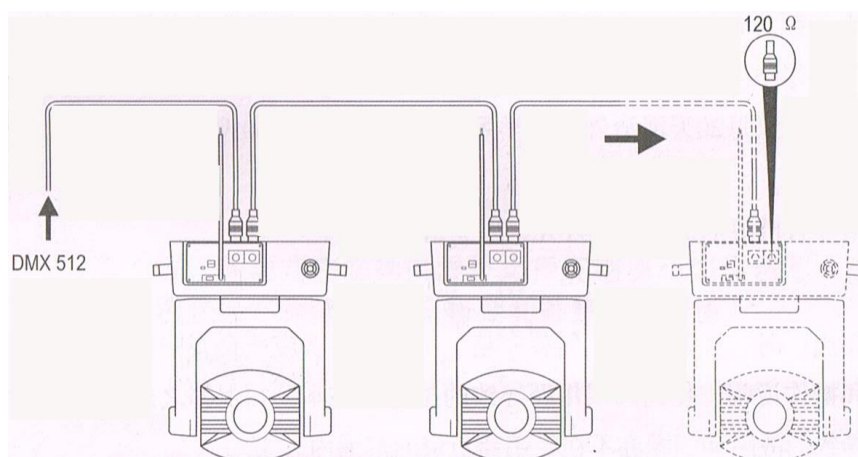
Frost & 6-color:



DMX-512 connection

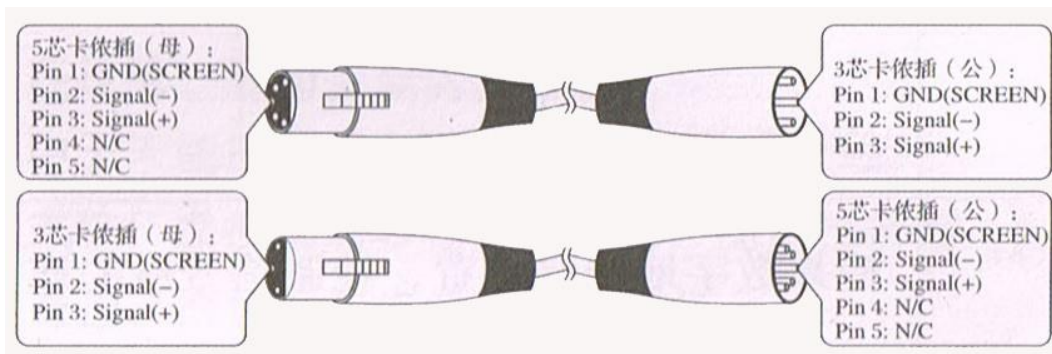
Connect the provided XLR cable to the male 3-pin XLR output of your controller and the other side to the female 3-pin XLR input of the light. then connect the DMX signal to the first fixture to the 2nd fixture, after all fixtures are connected,

The signal cable should be two - core with screened cable with XLR input and output connectors. Please refer to the diagram below

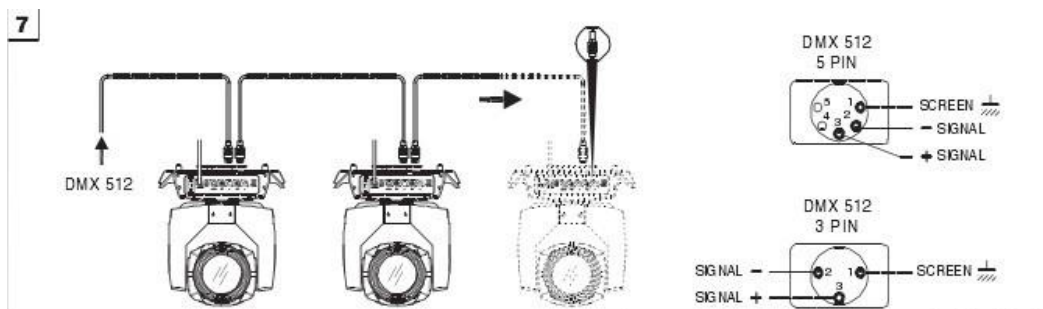
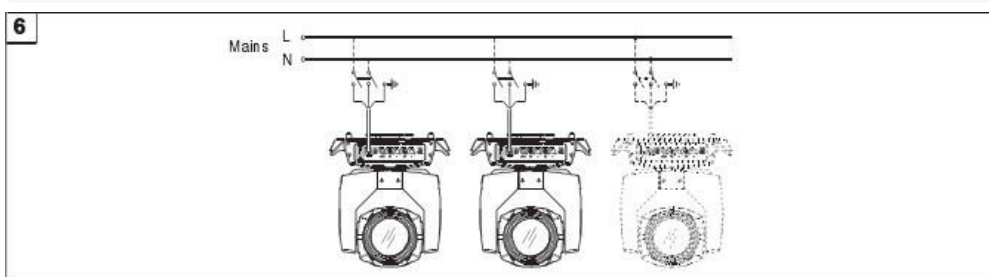
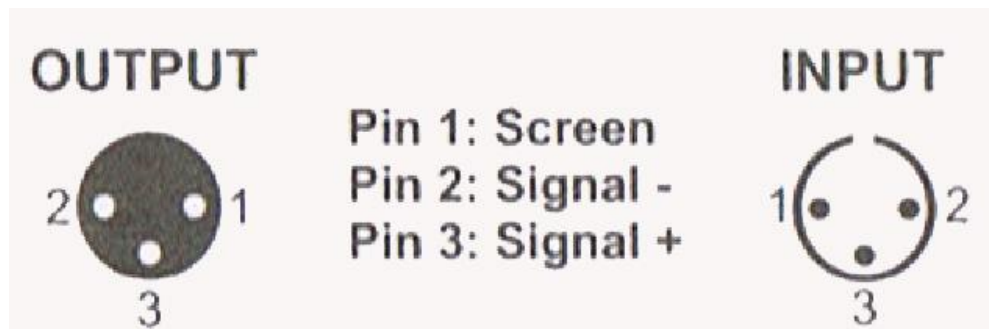


DMX terminator connection

If there are many lines or lights, it is recommended¹ to use a DMX terminator to prevent DMX signal corruption, the DMX terminator is a simple XLR plug with a 120 Ω resistor connected between pins 2 and 3, which is then plugged into the output XLR socket of the last fixture in the chain.



3-Pins connection



Cleaning and maintenance

Cleaning should be performed every 15-day period, by using a sponge which is dipped with alcohol, rather than wet cloth or other chemical liquid, to clean the mirror.



CAUTION

Cut off power before cleaning and maintenance!

Attention

Do not see directly light source when open the light, and make sure power off before do any installation or maintenance.



CAUTION!

Never look directly into the light source,
as sensitive persons may suffer an epileptic shock.



CAUTION

Wires connection must be done professional person!

Cautions

Before delivery, this device has passed strict inspection, Please follow the user manual strictly for operation, if this fixture is damaged by improper operation and mistake, the fixture will be out of warranty, and manufacture or dealer won't be responsible for it. In case of any technology change in this manual, we won't advise in further .

Common issues instruction

Issues	Solve instruction
No power	Check power's voltage
When power in, output light but the device cannot accept control signal	Check address setting and the control DMX cable connection well or not
The effect have light shadow	Check electronic focus DMX channel value, if it's suitable distance
Light beam dim	The lamp maybe arrived end of using life, should change new lamp, and also check light source cleaning or not

Note: the maintenance should be done by the verified technician.

Warranty Card

This product is made of high-brightness transistor. We will provide 1 year warranty under the condition that user has operated the light normally and lifetime service. We won't provide warranty if the damage is caused by artificial or force majeure event. Cost of fittings should be charged by user if product need maintenance after 1 year .Please cut this warranty card and shipped it along with the product to our factory when applying for warranty.

Product:

Purchasing date:

Code of invoice:

Warranty date: From

To

User's name:

Add:

Company:

Tel: