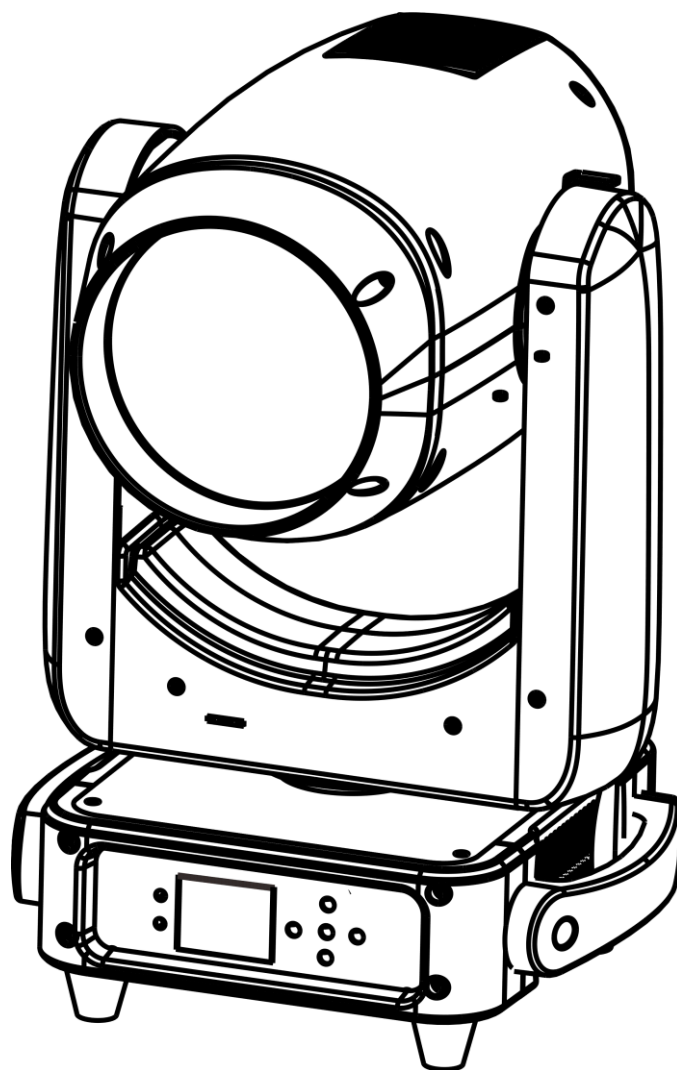


# 380W BEAM MOVING HEAD

## USER MANUAL



**Please read and keep this manual carefully for further use!**

Thank you for buying our professional Beam moving head.

This user manual includes important information for installation and operation, so please read this user manual carefully before installation and operation, and keep this user manual well for further use.

In order to install , operate, and maintain the lighting safety and correctly. We suggest that the installation and operation should be done by the verified technician and follow the instruction strictly.

## **Spare part includes:**

| Name             | QTY | Unit |
|------------------|-----|------|
| Fixture          | 1   | PC   |
| User manual      | 1   | PC   |
| Power cable      | 1   | PC   |
| DMX signal cable | 1   | PC   |
| Safety rope      | 1   | PC   |

Please check carefully that there is no damage caused by transportation. Should there be any, consult your local dealer.

## **Cautions**

**Before delivery, this device has passed strict inspection, Please follow the user manual strictly for operation, if this fixture is damaged by improper operation and mistake, the fixture will be out of warranty, and manufacture or dealer won't be responsible for it. In case of any technology change in this manual,we won't advise in further .**

### **CAUTION!**



**Keep this device away from rain and moisture!**



**Unplug mains lead before opening the housing!**



### **Warning!**

**Damages caused by the disregard of this user manual are not subject to warranty. The dealer will not accept liability for any resulting defects or problems.**

## **Installation**

### **CAUTION!**

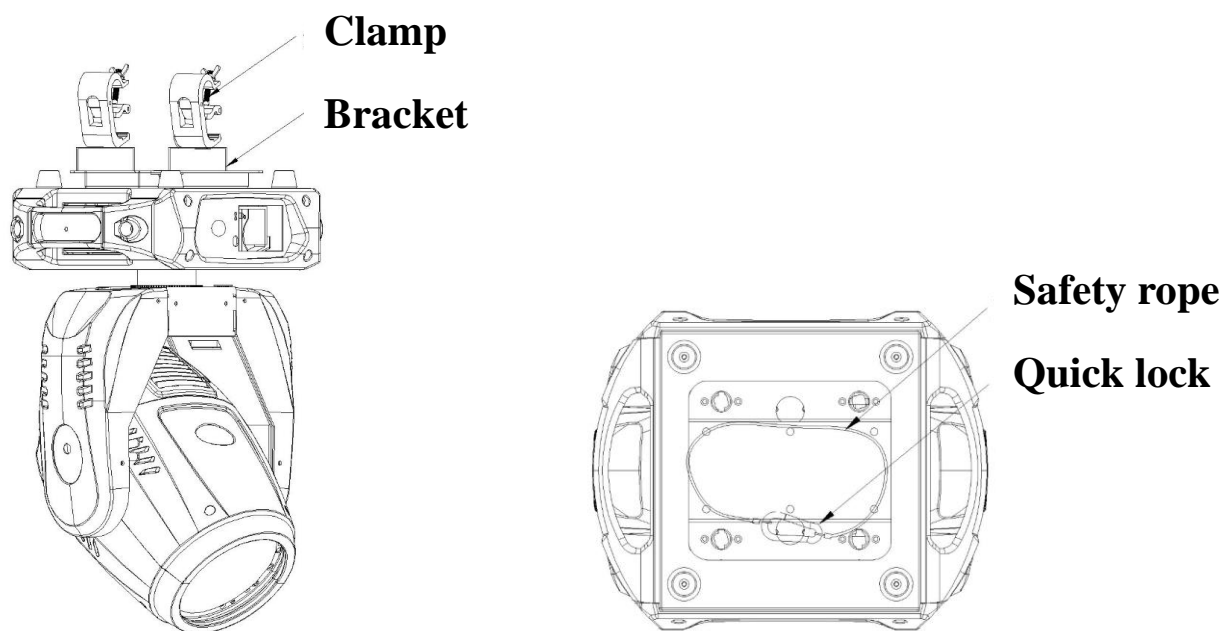


**Please consider the GB7000.15/EN60598-2-17 and the other respective national norms during The installation. The installation must only be carried out by a qualified person.**

► This fixture is not suitable for direct installation on combustible material surface, please keep the fixture surface at least 0.5m from any combustible material.

- ▶ If you use the quick lock cam in hanging up the fixture, please make sure the quick lock fasteners turned in the quick lock holes correctly.
- ▶ The applicable temperature for the fixture is between -25°C to 45°C. Do not use the lighting under or above this temperature range.
- ▶ The truss for hanging the fixture should be able to hold 10 times weight of this fixture and no deformation after 1 hour hang.
- ▶ Please don't stand under the fixture when install, uninstall, move or repair the fixture.
- ▶ Please ensure the light is connected correctly and invite professional technician to check and confirm the electrical data before installation.
- ▶ Please invite professional technician to check the fixture and installation each year.

### **Rigging:**



Insert the quick-lock fasteners of the first holder into the respective holes on the bottom of the device. Tighten the quick-lock fasteners fully clockwise.

Fix the clamp on truss or other fixture bracket.

Pull the safety rope through the holes on the bottom of the base and fasten it on the truss or other fixing point.

Note: This step is quite important to ensure that fixture will not drop down for the clamp damage.

### **Product specification**

Voltage: 100-240V, 50/60HZ;

Power Consumption: 500W;

Fuse: 8A/250V,  $\varnothing$  5\*20

DMX Channel: 16CH

Operation mode: master-slave/DMX/Auto

Focus/Zoom: Yes

Fixed gobo: 12 gobos+open+ 5 glass gobos

Strobe: 25Hz

Color: 14 colors+open

Prism 1: 12-facet

Prism 2: 8+16-facet

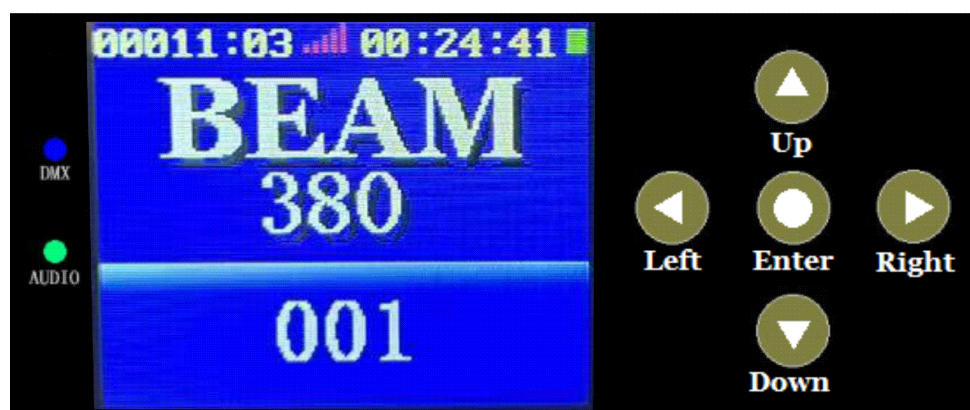
Pan: 540°

Tilt: 270°

Frost / Six-color effect: Yes

RDM: Yes

## Display and operation



|                                       |   |
|---------------------------------------|---|
| DMX                                   | DMX signal indicator  |
| AUDIO                                 | Sound control indicator   |
| Up                                    | menu up selection   |
| Down                                  | menu down selection   |
| Left                                  | Menu left to select/return  |
| Right                                 | Menu right to select  |
| ENTER                                 | Confirm button  |
| time on the left                      | Total system usage time   |
| time on the right                     | Total time of this power-on   |
| Vertical signal at the top            | Current DMX signal strength<br>Red: No signal / White: Current signal strength                        |
| Square icon in the upper right corner | Green: OK, no errors  |
|                                       | Red: There is an error (click the icon or "Information Menu/Error Information/View" to view the error |

## System Menu description:

|      |          |  |
|------|----------|--|
| 反向   | Reve     | Invert the screen display                                |
| 退出   | Exit     | Exit to the main interface                               |
| Lang | 语言       | Choose from Chinese or English                           |
| 标准设置 | Standard | Address code and some common function settings           |
| 高级设置 | Advanced | Main parameter factory settings                          |
| 系统信息 | Info     | Error, software version, etc. information display        |
| 手动编程 | Program  | Manually control the operation, or edit the user program |
| 测试运行 | Perform  | Automatic operation or Sound-controlled operation of     |

|      |       |                                  |
|------|-------|----------------------------------|
|      |       | built-in programs, user programs |
| 系统复位 | Reset | System reset to initial position |

## Display Setting:

|                |   |   |  |
|----------------|---|---|--|
| Standard       | Default set   | Enter                                     | Default set  |
|                | Address   | 001-512                                   | Set address code   |
|                | DMX mode  | Mode1<br>Mode2<br>Mode3<br>Mode4          | Select DMX control mode  |
|                | Effect mode   | No/Yes                                    | effect wheel automatically finds the shortest distance to rotate and run |
|                | Started lamp  | Off/on                                    | Choose to turn the bulb "on" or "off" each time                          |
|                | Switch lamp   | Off/on                                    | Turn on the lamp manually  |
|                | No signal   | Clear<br>Hold                             | Keep DMX value or clear DMX channel value when no DMX signal             |
|                | UI Color  | Green<br>Blue<br>Golden<br>Gray           | Choose screen menu color   |
|                | Show time   | No/Yes                                    | Display the runtime timer on the main screen                             |
|                | Brightness  | 000-255                                   | Adjust screen brightness   |
|                | Screensaver   | Off/on                                    | Turn off the screen when no touch and key operation                      |
|                | XY encoder  | No/Yes                                    | Cancel or use the XY auto-correction function                            |
|                | X inversion   | No/Yes                                    | Select X-axis to run forward or reverse                                  |
|                | Y inversion   | No/Yes                                    | Select Y-axis to run forward or reverse                                  |
|                | Focus inversion   | No/Yes                                    | Choose to run the focus forward or reverse                               |
| Zoom inversion | No/Yes  | Choose to run the Zoom forward or reverse |  |
|                |   |   |  |
| Advanced       | This is the main parameter setting of the fixture and requires permission |   |  |
|                |   |   |  |
| Info           | Error List  | No error/View                             | If there are no errors or there are errors, click OK to view the errors  |
|                | System ver  | Vxxxxxxx                                  | System version information   |
|                | Serial NO.  | xxxxxxx                                   | Equipment factory number   |
|                | SYS timer   | 00000.0H                                  | Total system running time (hours)  |
|                | Run timer   | 000:00                                    | Running time after this power-on (hours)                                 |
|                | Lamp timer  | 00000.0H                                  | The total time of lamp on (hours)  |
|                | Equip TEMP  | 000                                       | The temperature of the main part (requires device support)               |
|                | Head TEMP   | 000 <sup>-5</sup>                         | The temperature of the head (requires device support)                    |

|         |  |            |  |
|---------|--|------------|--|
|         | FAN 1 Speed  | 0000 RPM   | fan 1 speed (requires equipment support) |
|         | FAN 2 Speed  | 0000 RPM   | fan 2 speed (requires equipment support) |
|         |  |            |  |
| Perform | Run mode   | Auto/Sound | Run selected programs Auto or Sound      |
|         | Run speed  | 255        | Set the speed of Auto running            |
|         | Run cross  | 255        | Set run cross for Auto or Sound          |
|         | Built-in 1   | Off/on     | built-in test program 1                  |
|         | Built-in 2   | Off/on     | built-in test program 2                  |
|         | User PRO 1   | Off/on     | User-programmed program 1                |
|         | User PRO 2   | Off/on     | User-programmed program 2                |
|         | User PRO 3   | Off/on     | User-programmed program 3                |
|         | User PRO 4   | Off/on     | User-programmed program 4                |
|         | Circle shape   | Off/on     | (reserve)                                |
|         | Square shape   | Off/on     | (reserve)                                |
|         | Shape range  | 000        | (reserve)                                |
|         | Sound DB   | 000        | Adjust the sound control sensitivity     |
|         |  |            |  |
| Program | This function can program up to 4 user programs, and the 4 programs can be run in series, that is to say, the programmed 4 programs can be switched to ON at the same time in the "User-Pro" function. Go to program 2, go to program 3, then program 4, then loop back to program 1, and so on. Of course, it can also be run as a single option. |            |  |
|         |  |            |  |
| Reset   | Reset to initial position  |            |  |

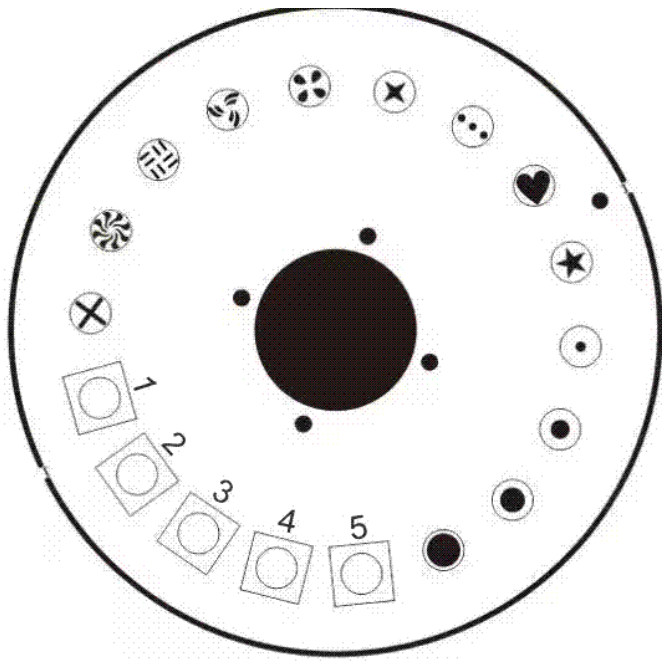
## 16 DMX channel:

| 16CH | Function    | Value     | Details         |
|------|-------------|-----------|-----------------|
| CH1  | Color wheel | 000-004   | White           |
|      |             | 005 -009  | White+Color 1   |
|      |             | 010 - 014 | Color 1         |
|      |             | 015 - 019 | Color 1+color 2 |
|      |             | 020 - 024 | Color 2         |
|      |             | 025 - 029 | Color 2+color 3 |
|      |             | 030 - 034 | Color 3         |
|      |             | 035 - 039 | Color 3+color 4 |
|      |             | 040 - 044 | Color 4         |
|      |             | 045 - 049 | Color 4+color 5 |
|      |             | 050 - 054 | Color 5         |
|      |             | 055 - 059 | Color 5+color 6 |

|            |                    |  |   |
|------------|--------------------|--|---|
|            |                    | 060 - 064<br>065 - 069<br>070 - 074<br>075 - 079<br>080 - 084<br>085 - 089<br>090 - 094<br>095 - 099<br>100 - 104<br>105 - 109<br>110 - 114<br>115 - 119<br>120 - 124<br>125 - 129<br>130 - 134<br>140 - 144<br>145 - 149<br>150 - 200<br>201 - 255  | Color 6<br>Color 6+color 7<br>Color 7<br>Color 7+color 8<br>Color 8<br>Color 8+color 9<br>Color 9<br>Color 9+color 10<br>Color 10<br>Color 10+color 11<br>Color 11<br>Color 11+color 12<br>Color 12<br>Color 12+color 13<br>Color 13<br>Color 14<br>Color 14+White<br>Forward flow (from fast to slow)<br>Reverse flow (from slow to fast)        |
| <b>CH2</b> | Shutter<br>/strobe | 000-003<br>004-103<br>104-107<br>108-207<br>208-212<br>213-251<br>252-255  | Shutter closed<br>Strobe from slow to fast<br>Open the shutter → (controlled by the dimming channel)<br>Pulse strobe from slow to fast<br>Open<br>Random strobe from slow to fast<br>Open   |
| <b>CH3</b> | dimmer             | 000-255  | dimmer from dark to bright  |
| <b>CH4</b> | gobo wheel         | 000 - 003<br>004 - 006<br>007 - 009<br>010 - 012<br>013 - 015<br>016 - 018<br>019 - 021<br>022 - 034<br>025 - 027<br>028 - 030<br>031 - 033<br>034 - 036<br>037 - 039<br>040 - 042<br>043 - 045<br>046 - 048<br>049 - 051<br>052 - 055<br>056 - 059<br>060 - 063<br>064 - 067<br>068 - 071<br>072 - 075<br>076 - 079 | White<br>gobo 1<br>gobo 2<br>gobo 3<br>gobo 4<br>gobo 5<br>gobo 6<br>gobo 7<br>gobo 8<br>gobo 9<br>gobo 10<br>gobo 11<br>gobo 12<br>gobo 13<br>gobo 14<br>gobo 15<br>gobo 16<br>gobo 17<br>White<br>gobo 1 shake slow to fast<br>gobo 2 shake slow to fast<br>gobo 3 shake slow to fast<br>gobo 4 shake slow to fast<br>gobo 5 shake slow to fast |

|             |                              |   |  |
|-------------|------------------------------|---|--|
|             |                              | 080 - 083<br>084 - 087<br>088 - 091<br>092 - 095<br>096 - 099<br>100 - 103<br>104 - 107<br>108 - 111<br>112 - 115<br>116 - 119<br>120 - 123<br>124 - 127<br>128 - 189<br>190 - 193<br>194 - 255 | gobo 6 shake slow to fast<br>gobo 7 shake slow to fast<br>gobo 8 shake slow to fast<br>gobo 9 shake slow to fast<br>gobo 10 shake slow to fast<br>gobo 11 shake slow to fast<br>gobo 12 shake slow to fast<br>gobo 13 shake slow to fast<br>gobo 14 shake slow to fast<br>gobo 15 shake slow to fast<br>gobo 16 shake slow to fast<br>gobo 17 shake slow to fast<br>Reverse flow (from fast to slow)<br>Stop<br>Forward flow (from slow to fast) |
| <b>CH5</b>  | Prism 1                      | 000-31<br>32-255  | no prism<br>prism 1  |
| <b>CH6</b>  | Prism1<br>rotation           | 000-127<br>128-190<br>191-192<br>193-255  | prism angle adjustment<br>Reverse rotation (fast to slow)<br>Stop<br>Forward rotation (slow to fast)   |
| <b>CH7</b>  | Prism 2                      | 000-31<br>32-255  | no prism<br>prism 2  |
| <b>CH8</b>  | Prism2<br>rotation           | 000-127<br>128-190<br>191-192<br>193-255  | prism angle adjustment<br>Reverse rotation (fast to slow)<br>Stop<br>Forward rotation (slow to fast)   |
| <b>CH9</b>  | focus                        | 000-255   | Pattern clarity from far to near   |
| <b>CH10</b> | pan                          | 000-255   | 0-540 degree   |
| <b>CH11</b> | pan fine                     | 000-255   | 0-1.2 degree   |
| <b>CH12</b> | tilt                         | 000-255   | 0-270 degree   |
| <b>CH13</b> | tilt fine                    | 000-255   | 0-1.2 degree   |
| <b>CH14</b> | XY speed                     | 000-255   | speed fast to slow   |
| <b>CH15</b> | Frost &<br>6-color<br>effect | 000-127<br>128-191<br>192-255   | no function<br>Frost<br>6-color effect   |
| <b>CH16</b> | Lamp<br>control &<br>Reset   | 000-099<br>100-105<br>106-199<br>200-205<br>206-249<br>250-255  | no function<br>Lamp off<br>no function<br>Lamp on<br>no function<br>all motors reset   |

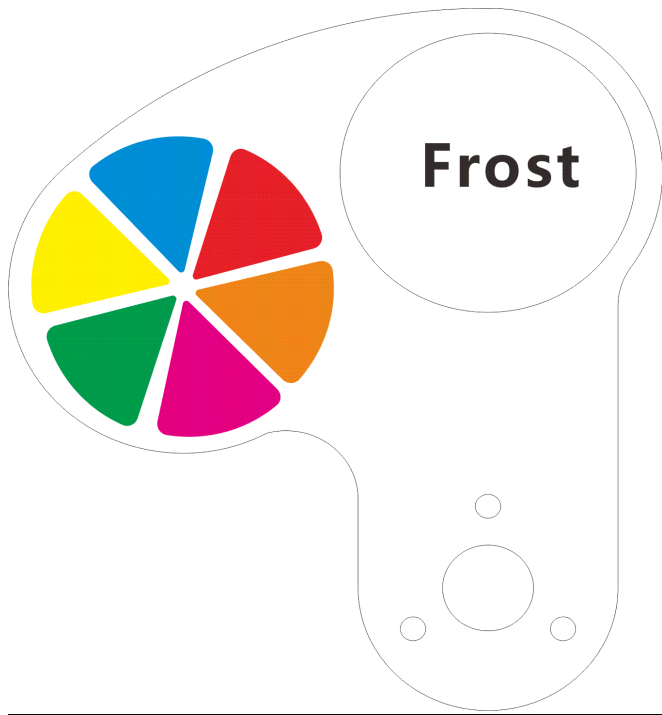




Color Wheel:



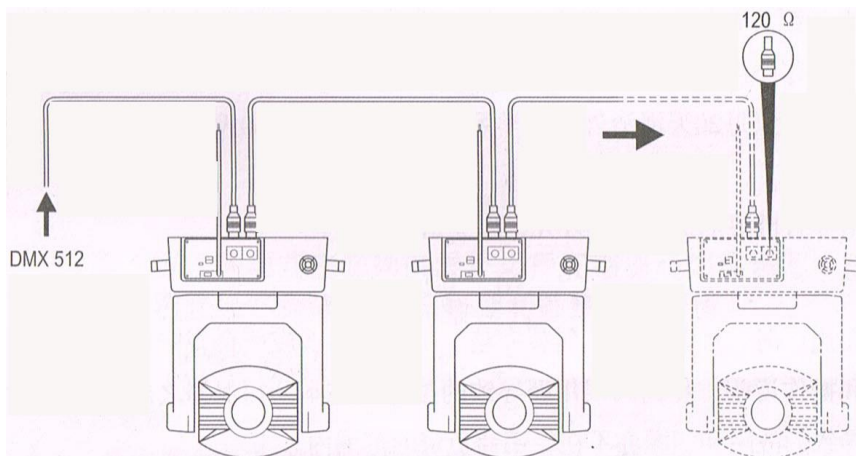
**Frost & 6-color:**



## **DMX-512 connection**

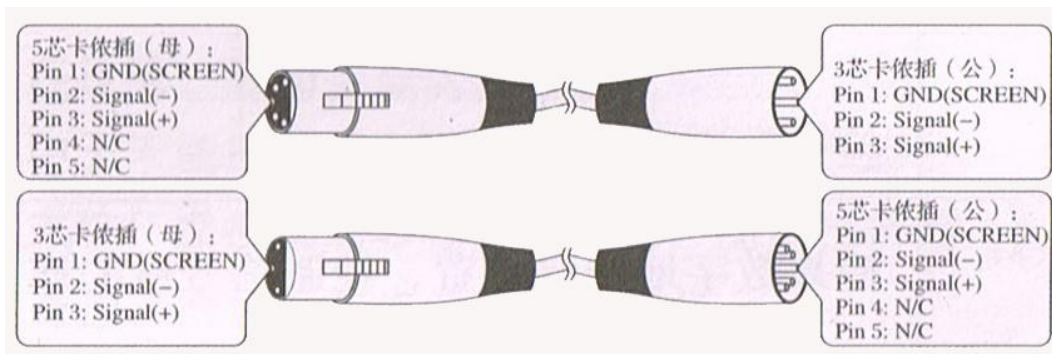
Connect the provided XLR cable to the male 3-pin XLR output of your controller and the other side to the female 3-pin XLR input of the light. then connect the DMX signal to the first fixture to the 2<sup>nd</sup> fixture, after all fixtures are connected,

The signal cable should be two - core with screened cable with XLR input and output connectors. Please refer to the diagram below

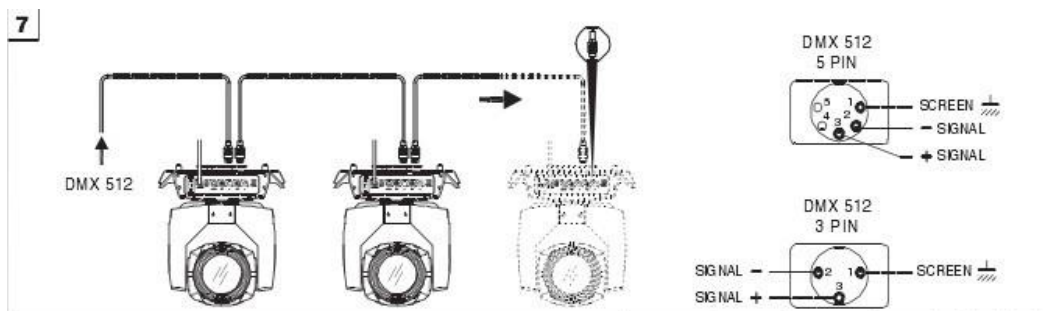
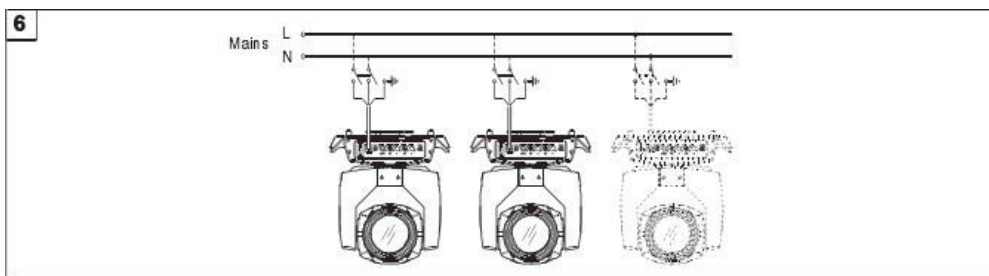


## **DMX terminator connection**

If there are many lines or lights, it is recommended to use a DMX terminator to prevent DMX signal corruption, the DMX terminator is a simple XLR plug with a 120 Ω resistor connected between pins 2 and 3, which is then plugged into the output XLR socket of the last fixture in the chain.



3-Pins connection



## Cleaning and maintenance

Cleaning should be performed every 15-day period, by using a sponge which is dipped with alcohol, rather than wet cloth or other chemical liquid, to clean the mirror.



### CAUTION

Cut off power before cleaning and maintenance!

### Attention

Do not see directly light source when open the light, and make sure power off before do any installation or maintenance.



### CAUTION!

Never look directly into the light source,  
as sensitive persons may suffer an epileptic shock.



### CAUTION

Wires connection must be done professional person!

## Cautions

Before delivery, this device has passed strict inspection, Please follow the user manual strictly for operation, if this fixture is damaged by improper operation and mistake, the fixture will be out of warranty, and manufacture or dealer won't be responsible for it. In case of any technology change in this manual, we won't advise in further .

## Common issues instruction

| Issues  | Solve instruction   |
|---|---|
| No power  | Check power's voltage   |
| When power in, output light but the device cannot accept control signal | Check address setting and the control DMX cable connection well or not  |
| The effect have light shadow  | Check electronic focus DMX channel value, if it's suitable distance   |
| Light beam dim  | The lamp maybe arrived end of using life, should change new lamp, and also check light source cleaning or not |

**Note:** the maintenance should be done by the verified technician.

# Warranty Card

This product is made of high-brightness transistor. We will provide 1 year warranty under the condition that user has operated the light normally and lifetime service. We won't provide warranty if the damage is caused by artificial or force majeure event. Cost of fittings should be charged by user if product need maintenance after 1 year .Please cut this warranty card and shipped it along with the product to our factory when applying for warranty.

**Product:**

**Purchasing date:**

**Code of invoice:**

**Warranty date: From**

**To**

**User's name:**

**Add:**

**Company:**

**Tel:**