

# 250W BEAM MOVING HEAD LIGHT USER MANUAL



**Please read and keep this manual carefully for further use!**

Thank you for buying our professional Beam moving head.

This user manual includes important information for installation and operation, so please read this user manual carefully before installation and operation, and keep this user manual well for further use.

In order to install , operate, and maintain the lighting safety and correctly. We suggest that the installation and operation should be done by the verified technician and follow the instruction strictly.

### **Spare part includes:**

Name	QTY	Unit
Fixture	1	PC
User manual	1	PC
Power cable	1	PC
Bracket	2	PCS
DMX signal cable	1	PC
Safety rope	1	PC

Please check carefully that there is no damage caused by transportation. Should there be any, consult your local dealer.

### **Cautions**

**Before delivery, this device has passed strict inspection, Please follow the user manual strictly for operation, if this fixture is damaged by improper operation and mistake, the fixture will be out of warranty, and manufacture or dealer won't be responsible for it. In case of any technology change in this manual,we won't advise in further .**

#### **CAUTION!**



**Keep this device away from rain and moisture!**



**Unplug mains lead before opening the housing!**



#### **Warning!**

**Damages caused by the disregard of this user manual are not subject to warranty. The dealer will not accept liability for any resulting defects or problems.**

### **Installation**



### CAUTION!

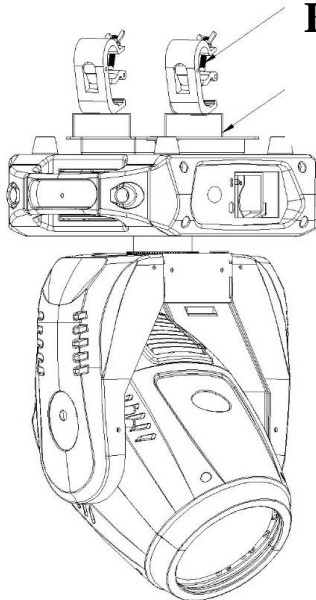
Please consider the GB7000.15/EN60598-2-17 and the other respective national norms during The installation. The installation must only be carried out by a qualified person.

- ▶ This fixture is not suitable for direct installation on combustible material surface, please keep the fixture surface at least 0.5m from any combustible material.
- ▶ If you use the quick lock cam in hanging up the fixture, please make sure the quick lock fasteners turned in the quick lock holes correctly.
- ▶ The applicable temperature for the fixture is between -25°C to 45°C. Do not use the lighting under or above this temperature range.
- ▶ The truss for hanging the fixture should be able to hold 10 times weight of this fixture and no deformation after 1 hour hang.
- ▶ Please don't stand under the fixture when install, uninstall, move or repair the fixture.
- ▶ Please ensure the light is connected correctly and invite professional technician to check and confirm the electrical data before installation.
- ▶ Please invite professional technician to check the fixture and installation each year.

### Rigging:

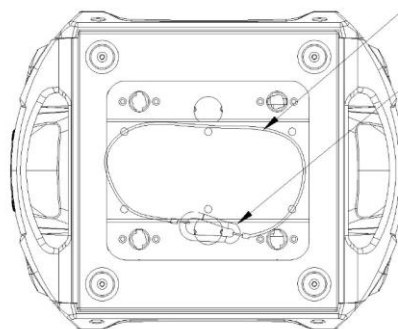
**Clamp**

**Bracket**



**Safety rope**

**Quick lock**



Insert the quick-lock fasteners of the first holder into the respective holes on the bottom of the device. Tighten the quick-lock fasteners fully clockwise.

Fix the clamp on truss or other fixture bracket.

Pull the safety rope through the holes on the bottom of the base and fasten it on the truss or other fixing point.

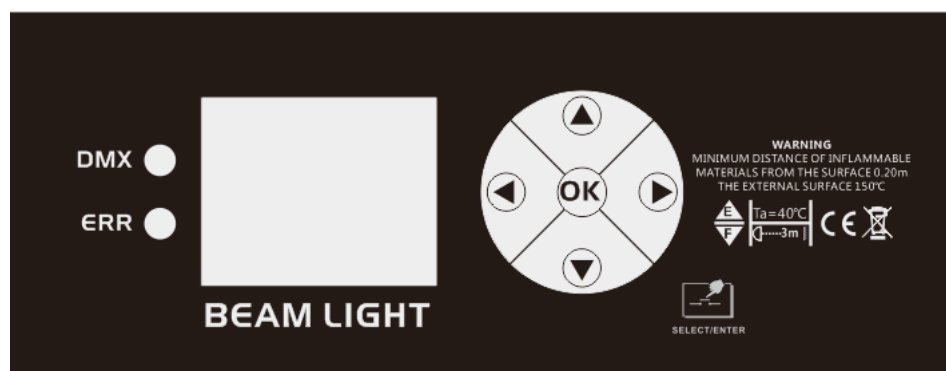
Note: This step is quite important to ensure that fixture will not drop down for the clamp damage.

## Product specification

1. Voltage: 100-240V, 50/60HZ;
2. Power Consumption: 320W;
3. Lamp:250W lamp
4. Average lifetime:2000hours; Color Temp: 8000K;
- 5.Pan: 540°(16bit) electronic error correction;
- 6.Tilt: 270° (16bit) electronic error correction;
- 7.Color wheel:14 colors+open
- 8.Gobo wheel:13gobos+open;
- 9.Prism 1:8-facet +16-facet, prism 2: 16-facet
- 10.Frost and 6-color wheel effect,electronic focus
11. Electrical dimming: 0%~100%; support strobe at various speeds, strobe color marco
12. Beam angle: 2°;lumen: 103000lux at 15m, strobe:1-25HZ
13. Over-heat protection; Display: LCD
14. IP rate:IP20;
- 15.Channel: 19CH

## Display and operation

Touch button	Function
Up	Option, Edit
Down	Option, Edit
Left	Backtrack, Edit
Right	Backtrack, Edit
OK	Enter to edit , confirm



## Setting:

Option	Description	
Operating mode	DMX	slave status: receiving DMX signals from the console or master
	AUTO 1	master state: auto and send DMX signal to the slave
	AUTO 2	
	Random Sound	
DMX address	1~512	Press the "OK" key to enter the editing state.
Channel mode	Standard 16CH	Standard 16-channel mode, the 17th to 20th channels are invalid
	Expansion 20CH	Expansion 20 channel mode, the 17th to 20th channels control the speed (refer to the channel table)
X reverse	off	
	on	
Y reverse	off	
	on	
XY exchange	off	
	on	Exchange the channels of the XY axis (including fine-tuning)
XY encoder	on	Use the encoder (optocoupler) to judge the out-of-step and automatically correct the position
	off	Does not use encoder (optocoupler) to correct position
DMX signal	hold	running in the original state
	clear	the motor back to position, stop running
Lamp on	off	Reset directly after power on, the bulb will not on
	on	lamp on after power on, the bulb will light up automatically, and it will be reset only after the bulb is on
Color wheel linear change	on	The color wheel changes linearly
	off	Non-linear change of color wheel, half color change
Default settings		Press the "OK" button to see the confirmation dialog box, press the "OK" button again to restore the default settings

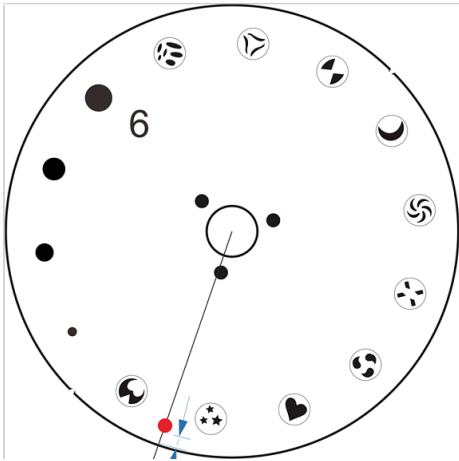
## 16 DMX channel

16CH	Function	Value	Details
CH1	Color wheel	000-004	White
		005 -009	White+Color 1
		010 - 014	Color 1
		015 - 019	Color 1+color 2
		020 - 024	Color 2
		025 - 029	Color 2+color 3
		030 - 034	Color 3
		035 - 039	Color 3+color 4
		040 - 044	Color 4
		045 - 049	Color 4+color 5
		050 - 054	Color 5
		055 - 059	Color 5+color 6
		060 - 064	Color 6
		065 - 069	Color 6+color 7
		070 - 074	Color 7
		075 - 079	Color 7+color 8
		080 - 084	Color 8
		085 - 089	Color 8+color 9
		090 - 094	Color 9
		095 - 099	Color 9+color 10
		100 -104	Color 10
		105 -109	Color 10+color 11
		110 -114	Color 11
		115 -119	Color 11+color 12
		120 -124	Color 12
		125 -129	Color 12+color 13
		130 -134	Color 13
135 -139	Color 12+color 13		
140 -144	Color 14		
145 -149	Color 14+white light		
150 - 200	Forward flow (from fast to slow)		
201 - 255	Reverse flow (from slow to fast)		
CH2	strobe	000-003	Shutter closed
		004-103	Strobe from slow to fast
		104-107	Open the shutter → (controlled by the dimming channel)
		108-207	Pulse strobe from slow to fast
		208-212	Open the shutter → (controlled by the dimming channel)
		213-251	Random strobe from slow to fast
		252-255	Open the shutter → (controlled by the dimming channel)
CH3	dimmer	0-255	dimmer 0-100%
CH4	gobo wheel	000 - 004	gobo 1
		005 - 009	gobo 2

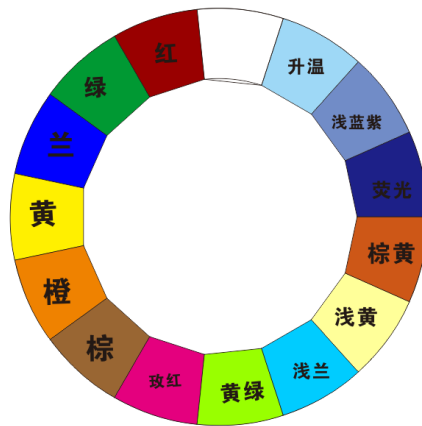
		010 - 014 015 - 019 020 - 024 025 - 029 030 - 034 035 - 039 040 - 044 045 - 049 050 - 054 055 - 059 060 - 064 065 - 069 070 - 074 075 - 079 080 - 084 085 - 089 090 - 094 095 - 099 100 - 104 105 - 109 110 - 114 115 - 119 120 - 124 125 - 129 130 - 134 135 - 139 140 - 200 201 - 255	gobo 3 gobo 4 gobo 5 gobo 6 gobo 7 gobo 8 gobo 9 gobo 10 gobo 11 gobo 12 gobo 13 gobo 14 gobo 1 shake slow to fast gobo 2 shake slow to fast gobo 3 shake slow to fast gobo 4 shake slow to fast gobo 5 shake slow to fast gobo 6 shake slow to fast gobo 7 shake slow to fast gobo 8 shake slow to fast gobo 9 shake slow to fast gobo 10 shake slow to fast gobo 11 shake slow to fast gobo 12 shake slow to fast gobo 13 shake slow to fast gobo 14 shake slow to fast Forward flow (from fast to slow) Reverse flow (from slow to fast)
<b>CH5</b>	prism	000-063 064-127 128-191 192-255	no effect prism 1 prism 2 prism 1+ prism 2
<b>CH6</b>	prism rotation	000-127 128-187 188-195 196-255	adjust angle Forward rotation fast to slow stop reverse rotation slow to fast
<b>CH7</b>	frost and six color effect	000-127 128-191 192-255	no function frost six color effect
<b>CH8</b>	focus	0-255	focus 0-100%
<b>CH9</b>	focus fine	0-255	focus fine
<b>CH10</b>	pan	0-255	0-540 degree
<b>CH11</b>	pan fine	0-255	0-1.2 degree
<b>CH12</b>	tilt	0-255	0-270 degree
<b>CH13</b>	tilt fine	0-255	0-1.2 degree
<b>CH14</b>	XY speed	0-255	speed fast to slow

<b>CH15</b>	Macro	0-255	
<b>CH16</b>	lamp control and reset	000-099 100-105 200-205 210-215 220-235 240-250	no function lamp off lamp on Pan/Tilt reset small motors reset all motors reset
<b>CH17</b>	LED strobe	0-255	
<b>CH18</b>	LED effect	0-255	
<b>CH19</b>	LED speed	0-255	

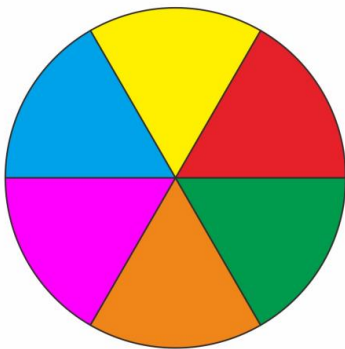
### Gobo wheel



### Color wheel



### Six-color effect



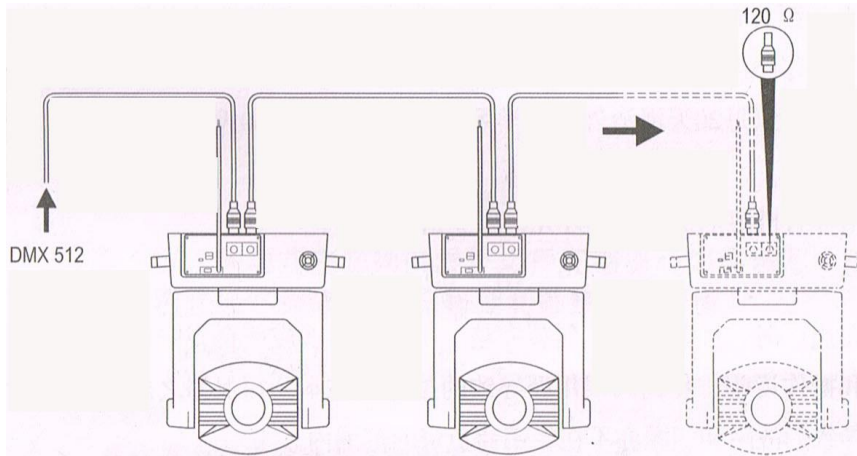
### DMX-512 connection

Connect the provided XLR cable to the male 3-pin XLR output of your controller and the other side to the female 3-pin XLR input of the light. then connect the DMX signal to the first fixture to the 2<sup>nd</sup>



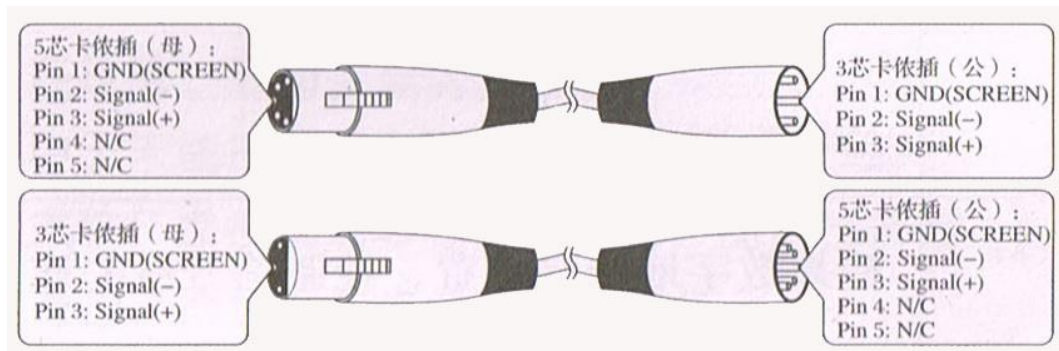
fixture, after all fixtures are connected,

The signal cable should be two - core with screened cable with XLR input and output connectors. Please refer to the diagram below



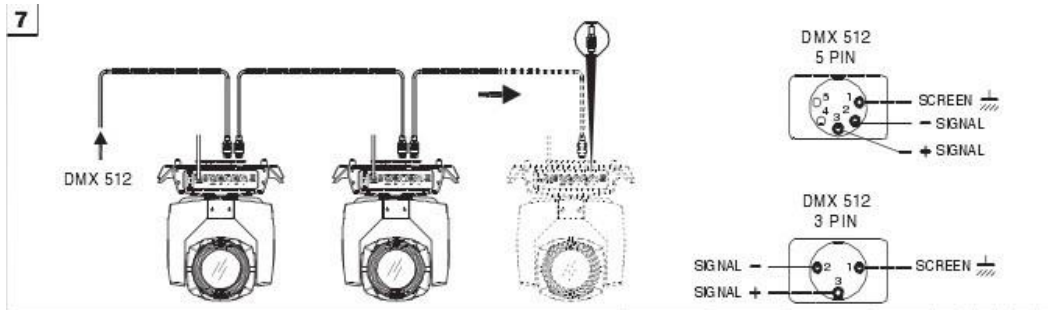
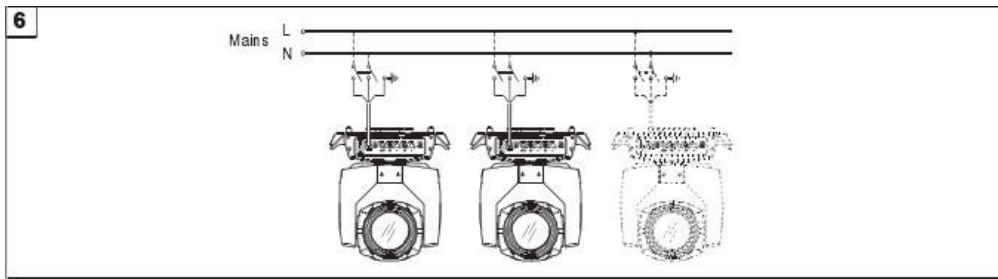
## DMX terminator connection

If there are many lines or lights, it is recommended to use a DMX terminator to prevent DMX signal corruption, the DMX terminator is a simple XLR plug with a 120 Ω resistor connected between pins 2 and 3, which is then plugged into the output XLR socket of the last fixture in the chain.



3-Pins connection





## Cleaning and maintenance

Cleaning should be performed every 15-day period, by using a sponge which is dipped with alcohol, rather than wet cloth or other chemical liquid, to clean the mirror.



### CAUTION

Cut off power before cleaning and maintenance!

### Attention

Do not see directly light source when open the light, and make sure power off before do any installation or maintenance.



### CAUTION!

Never look directly into the light source, as sensitive persons may suffer an epileptic shock.



### CAUTION

Wires connection must be done professional person!

## Cautions

Before delivery, this device has passed strict inspection, Please follow the user manual strictly for operation, if this fixture is damaged by improper operation and mistake, the fixture will be out of warranty, and manufacture or dealer won't be responsible for it. In case of any technology change in this manual, we won't advise in further .

## Common issues instruction

Issues	Solve instruction
No power	Check power's voltage
When power in, output light but the device cannot accept control signal	Check address setting and the control DMX cable connection well or not
The effect have light shadow	Check electronic focus DMX channel value, does suitable distance
Power down	The lamp maybe arrived end of using life, should change new lamp, and also check light source cleaning or not

**Note:** the maintenance should be done by the verified technician.

# Warranty Card

This product is made of high-brightness transistor. We will provide 1 year warranty under the condition that user has operated the light normally and lifetime service. We won't provide warranty if the damage is caused by artificial or force majeure event. Cost of fittings should be charged by user if product need maintenance after 1 year .Please cut this warranty card and shipped it along with the product to our factory when applying for warranty.

**Product:**

**Purchasing date:**

**Code of invoice:**

**Warranty date: From**

**To**

**User's name:**

**Add:**

**Company:**

**Tel:**