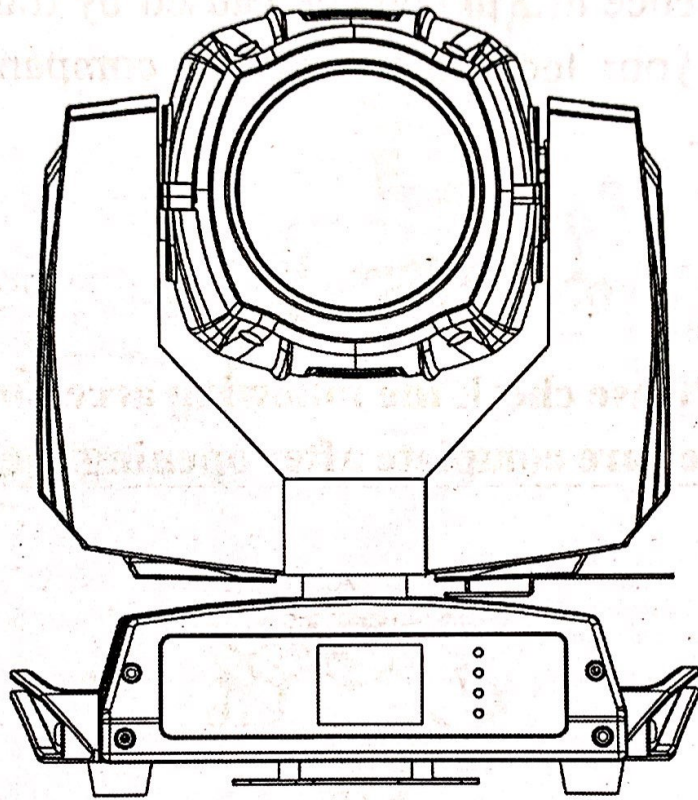


Product Instruction



Q-2012A

Beam 200

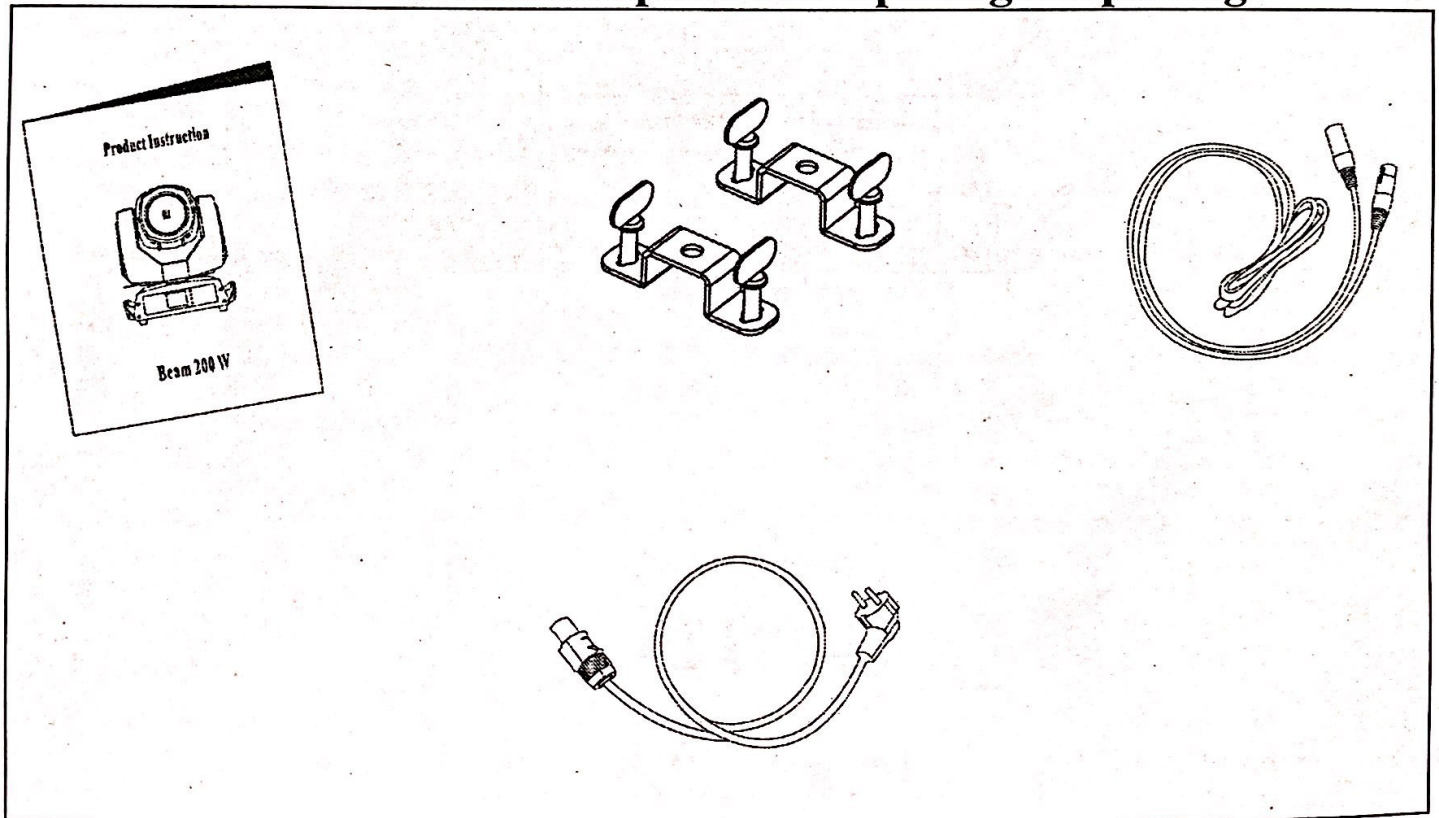
P.R LIGHT

Welcome to use this product

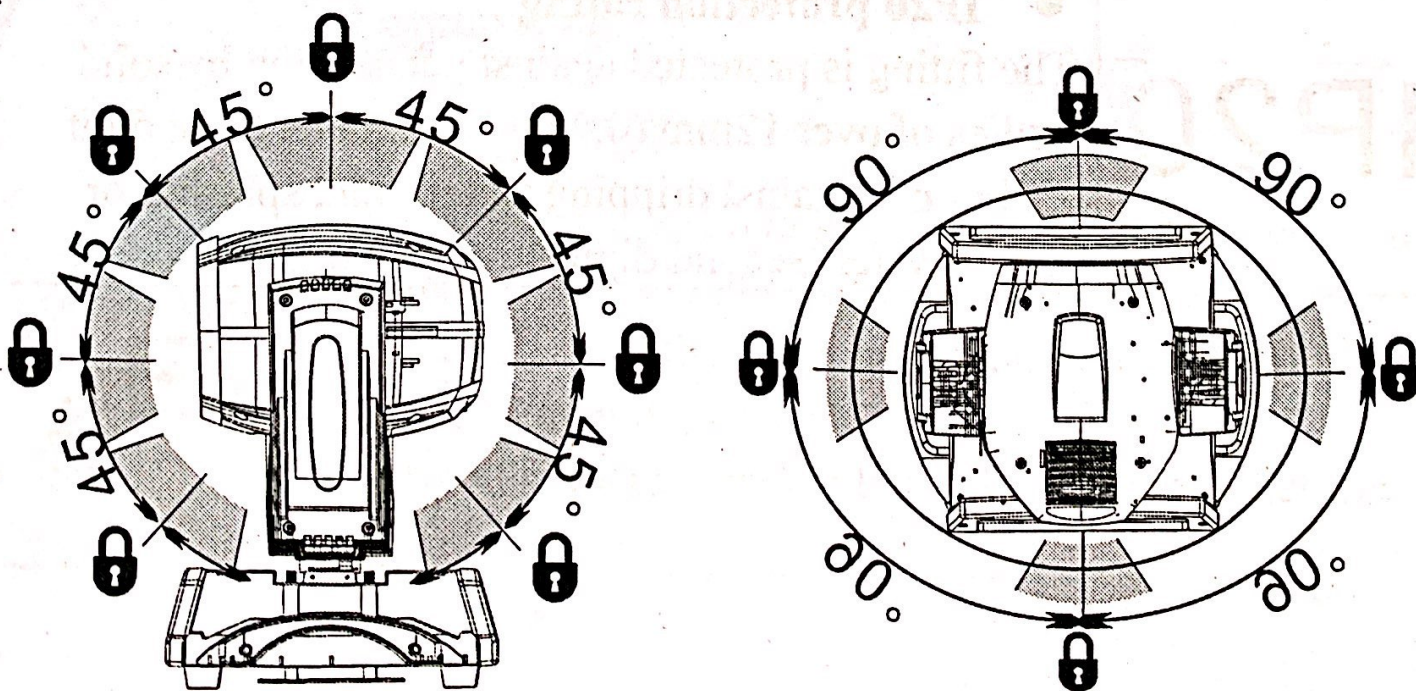
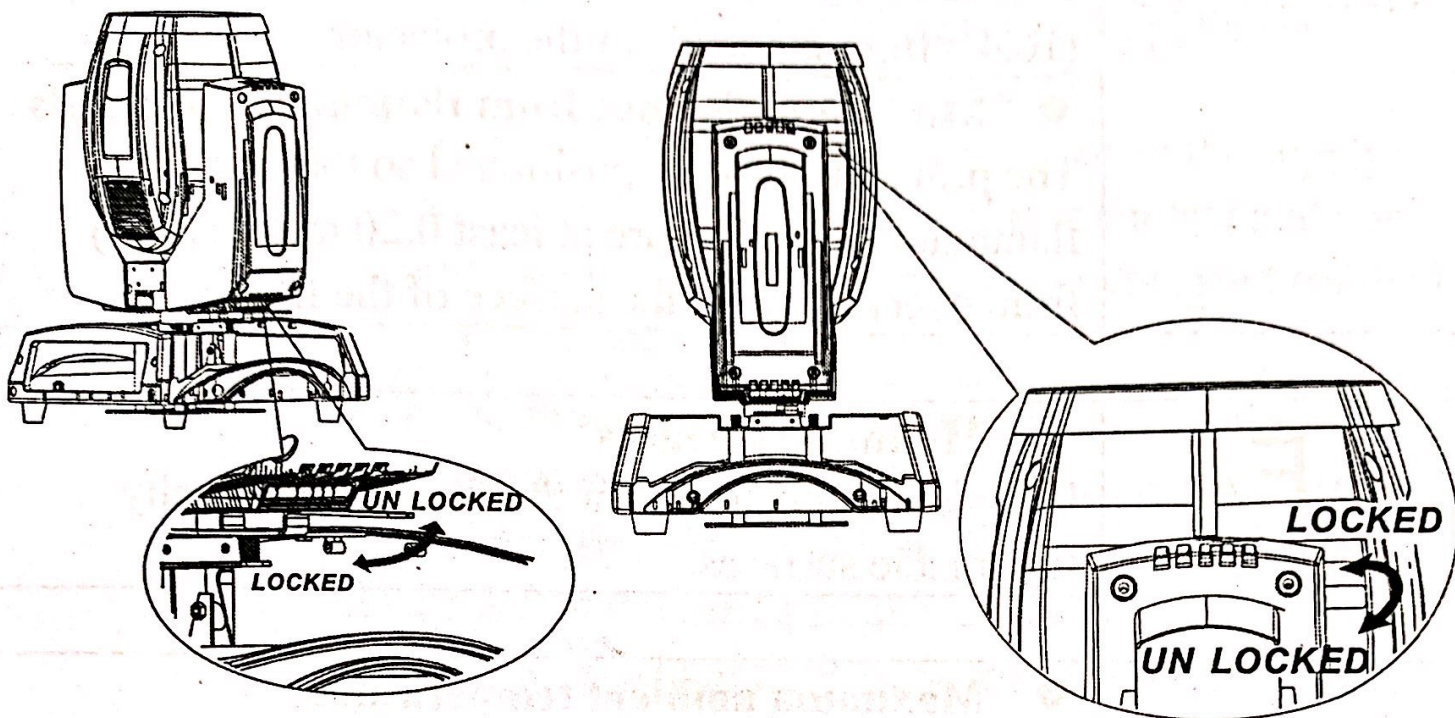
Attention! For your safety, please read this instruction carefully before the first installation.

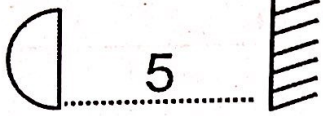
Please open your purchased product packaging, confirm whether there is the presence or absence due to damage caused by transport. If so, please immediately consult your local dealer or our company and do not start operating this product.

**Please check the following accessories
whether are complete after opening the package**



**Before running this device, please check
that the locking element whether is turned on**



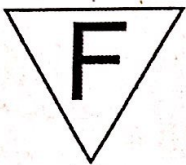


- **Minimum distance of illuminated objects**

The projector needs to be positioned so that the objects hit by the beam of light are at least 5 meters (16.4') from the lens of the projector.

- **Minimum distance from flammable materials**

The projector must be positioned so that any flammable materials are at least 0.20 meters (0.6') from every point on the surface of the fitting.



- **Mounting surfaces**

It is permissible to mount the fitting on normally flammable surfaces.

t_a 40°C

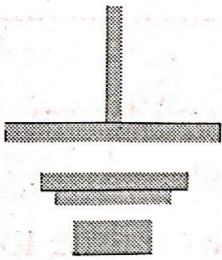
- **Maximum ambient temperature**

Do not operate the fixture if the ambient temperature (T_a) exceeds 40°C (104°F).

IP20

- **IP20 protection rating**

The fitting is protected against penetration by solid bodies of over 12mm (0.47") in diameter (first digit 2), but not against dripping water, rain, splashes or jets of water (second digit 0).



- **Protection against electrical shock**

Connection must be made to a power supply system fitted with efficient earthing (Class I appliance according to standard EN 60598-1).

It is, moreover, recommended to protect the supply lines of the projectors from indirect contact and / or shorting to earth by using appropriately sized residual current devices.

- **Connection to mains supply**

Connection to the electricity mains must be carried out by a qualified electrical installer.

Check that the mains frequency and voltage correspond to those for which the projector is designed as given on the electrical data label.

This label also gives the input power to which you need to refer to evaluate the maximum number of fittings to connect to the electricity line, in order to avoid overloading.





- **Lamp**


The fitting mounts a high-pressure lamp that needs an external igniter is fitted onto the apparatus.


-Carefully read the “operating instruction” provided by the lamp manufacturer.

-Immediately replace the lamp if damaged or deformed by heat.

	<p>● Battery</p> <p>This product contains a rechargeable lead-acid or lithium iron tetra phosphate battery. To preserve the environment, please dispose the battery at the end of its life according to the regulation in force.</p>
--	---

	LVD tested:	EMC tested:
	EN 60598-2-17: 1989+A2: 1991	EN 55103-1: 2009+A1: 2012
	EN 60598-1: 2008+A11: 2009	EN55103-2: 2009
	EN 62493: 2010	EN 61000-3-2: 2014
		EN 61000-3-3: 2013

	<p>ENC 150401GZ98R1</p>
--	-------------------------

	<p>NOT FOR RESIDENTIAL USE</p>
--	---------------------------------------

Safety Instructions

CAUTION! Be careful with your operations. With a dangerous voltage you can suffer a dangerous electric shock when touching the wire!

This device has left our premises in absolutely perfect condition. In order to maintain this condition and to ensure a safe operation, it is absolutely necessary for the user to follow the safety instructions and warning notes written in this product instruction.

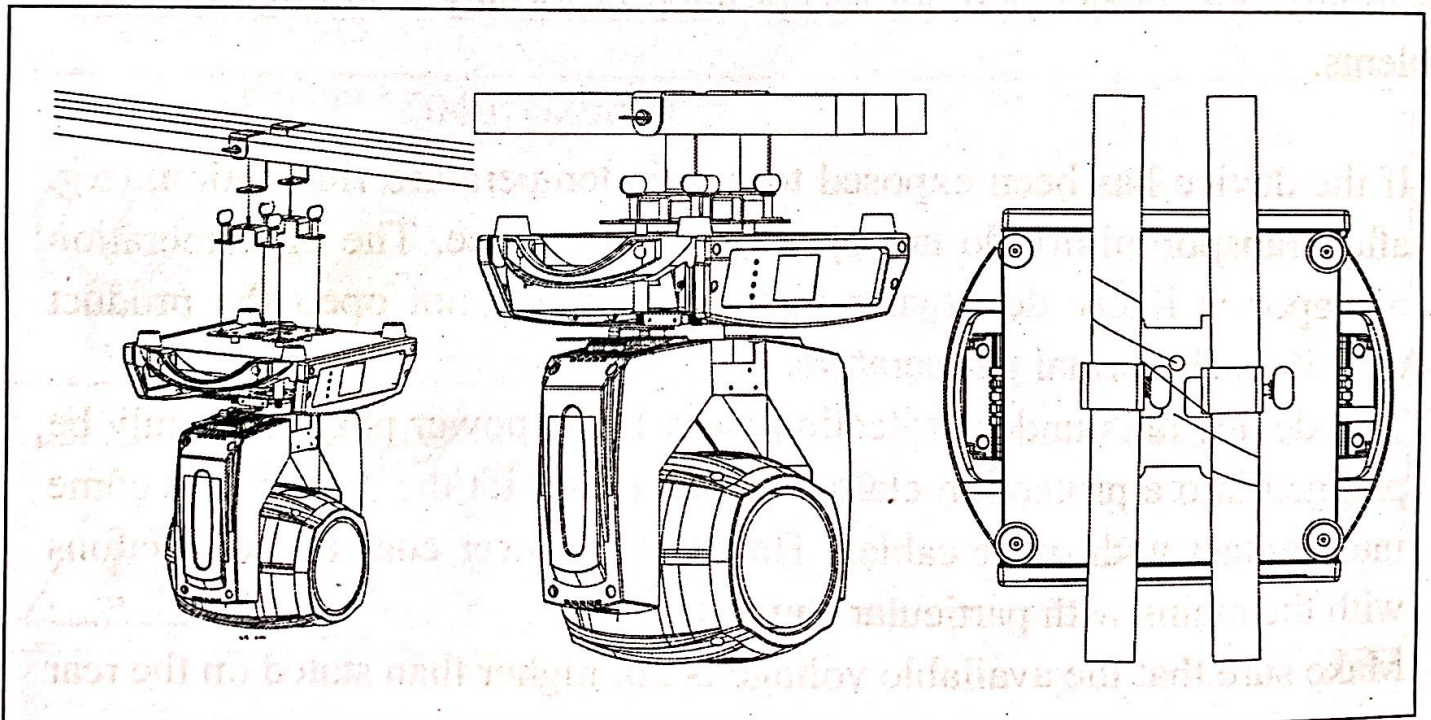
Important statement:

Damages caused by the disregard of this product instruction are not subject to warranty. The dealer will not accept liability for any resulting defects or problems.

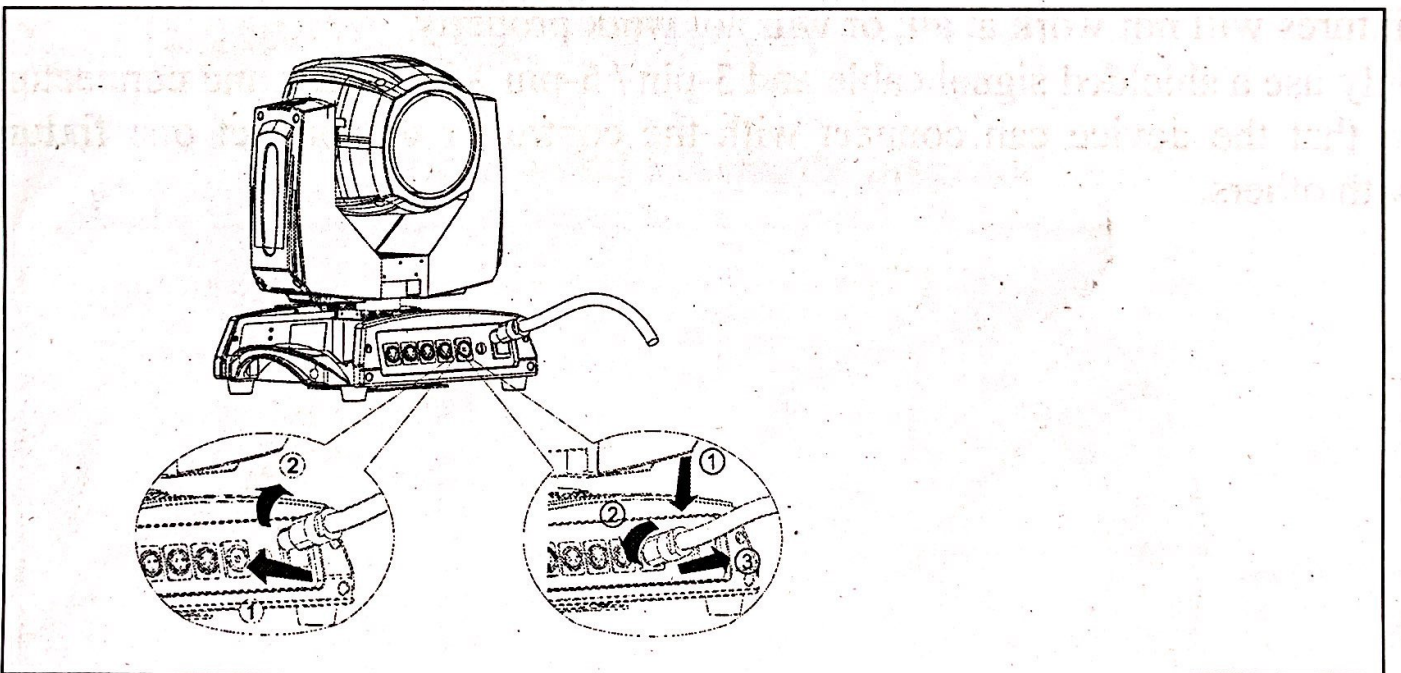
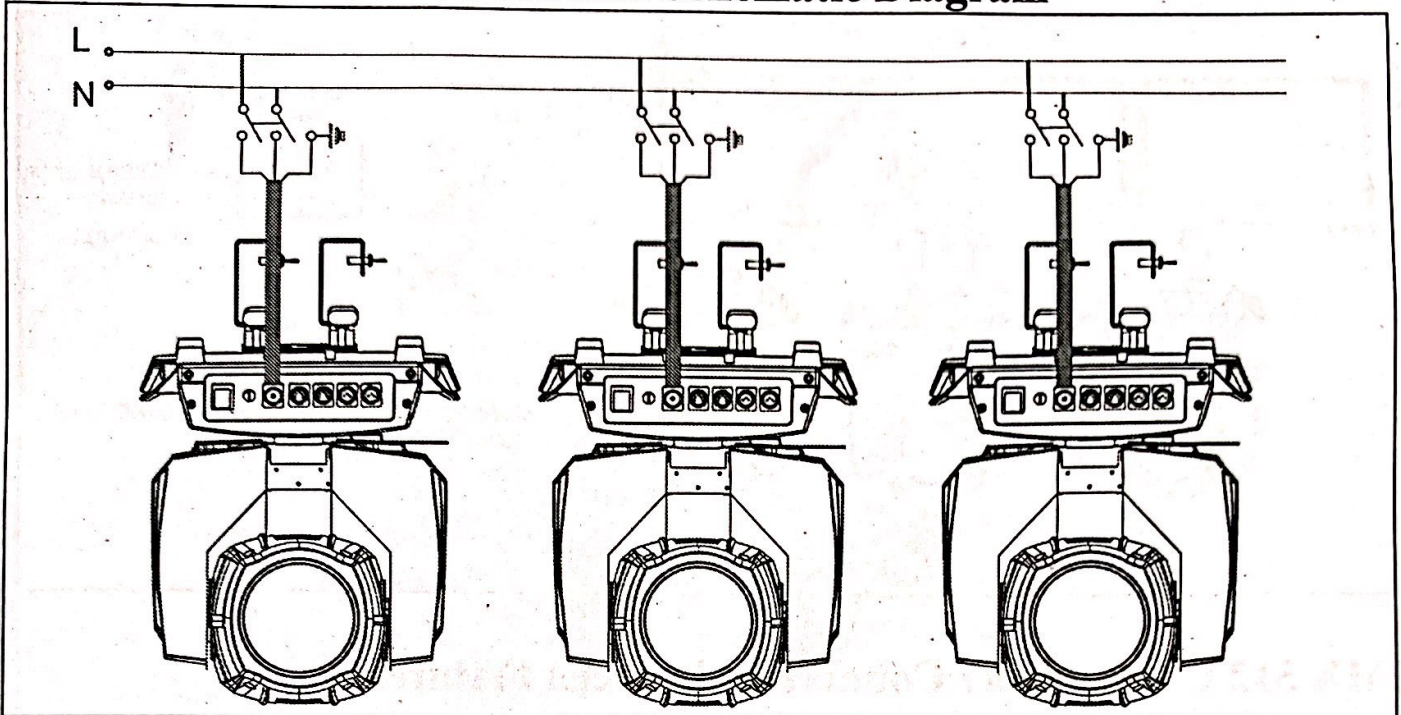
- If the device has been exposed to drastic temperature fluctuation, (e.g. after transportation), do not open the light at once. The agglomeration of vapor is likely destroying your product. Do not open the product until it reach normal temperature.
- This device falls under protection class 1. The power plug must only be plugged into a protection class 1 outlet. Never let the power cord come into contact with other cables! Handle the power cord all connections with the mains with particular caution!
- Make sure that the available voltage is not higher than stated on the rear panel (100-240V)
- There may be some of the first boot smoke or gas, which is normal and does not mean that the device has a problem.
- **CAUTION:** During the operation, the housing becomes very hot.

- Never frequently open / close the device for reducing the life span of the lamp.
- Never look directly into the light source, because sensitive people can cause discomfort (especially for epilepsy patients).
- Damages caused by non-observance are not subject to warranty.
- Please note that the damage caused by the user's own changing machine is not covered by the warranty.
- Keep away children and non-professionals!

Installation Schematic Diagram

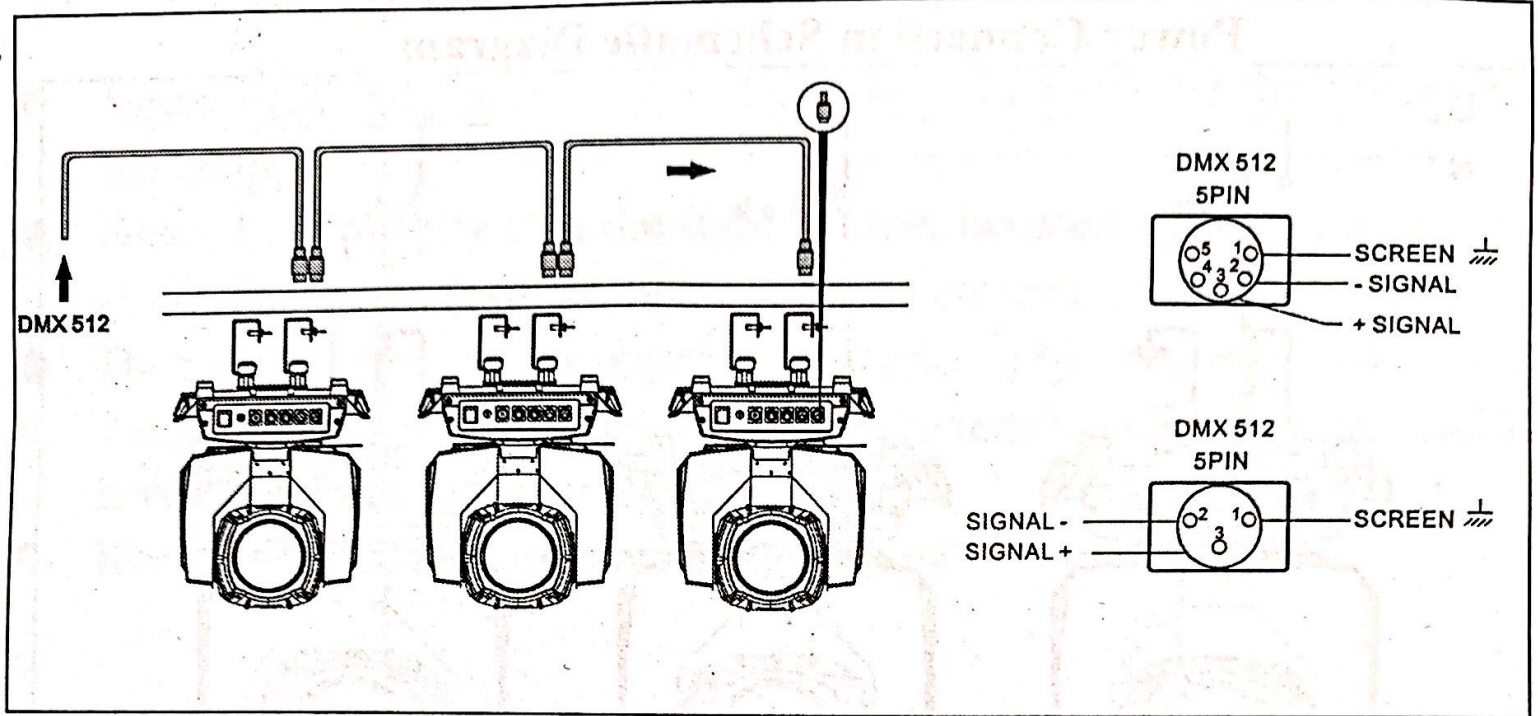


Power Connection Schematic Diagram



Note: Make sure the power is connected correctly with fire wire, zero line and ground, must not be connected backwards; otherwise it will cause a short circuit and danger!

DMX Connection Schematic Diagram

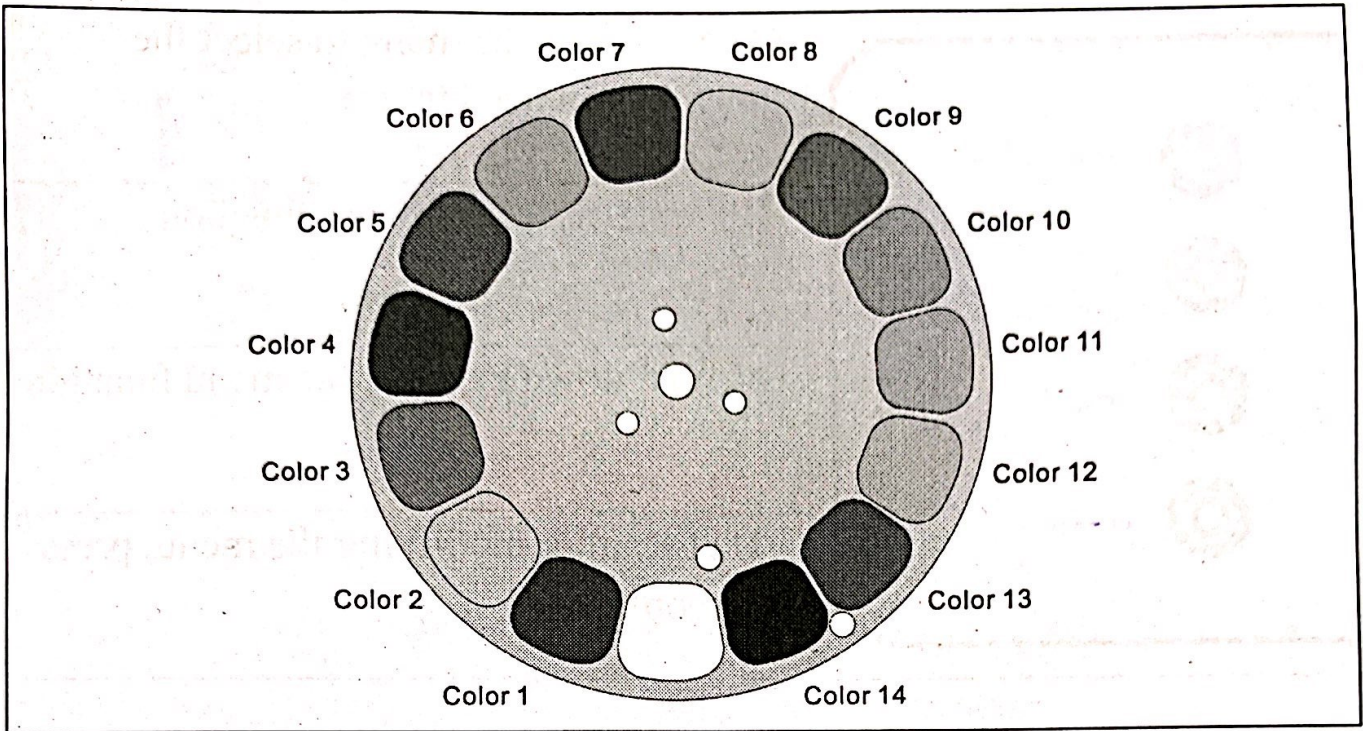


DMX 512 Connection / Connection between Fixtures

The wires must not come into contact with each other; otherwise the fixtures will not work at all, or will not work properly.

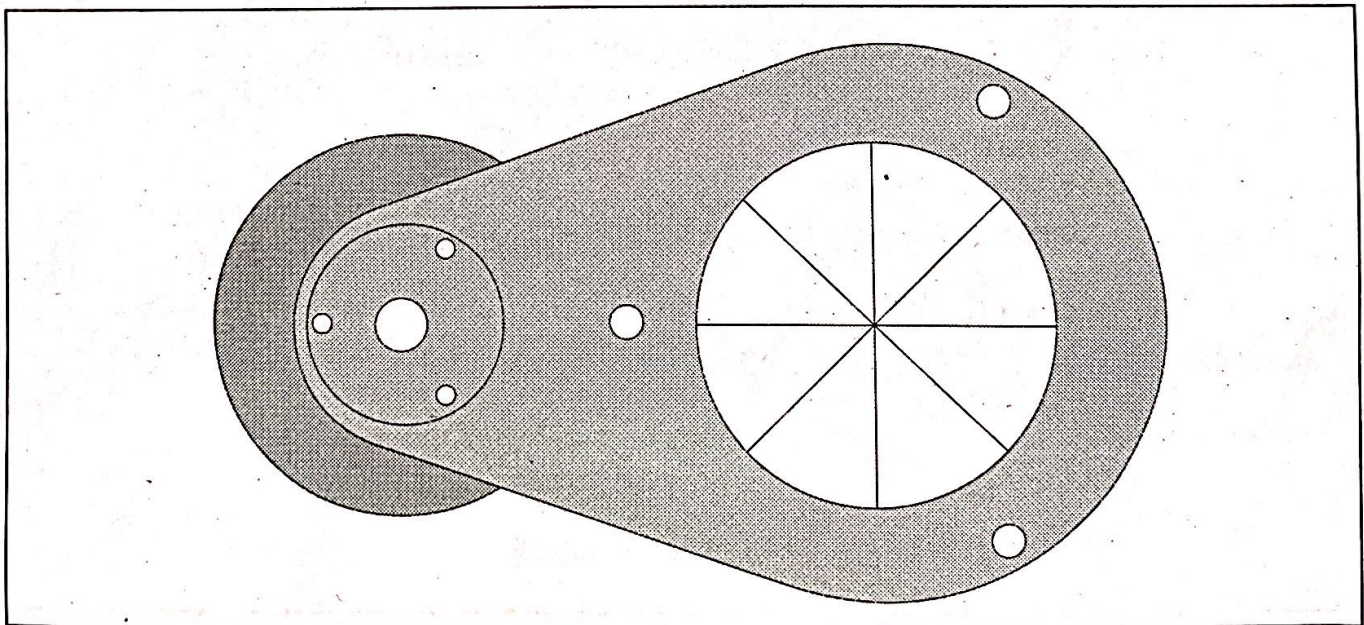
Only use a shielded signal cable and 3-pin / 5-pin XLR-plugs and connectors so that the device can connect with the controller or connect one fixture with others.

Color Wheel Schematic Diagram



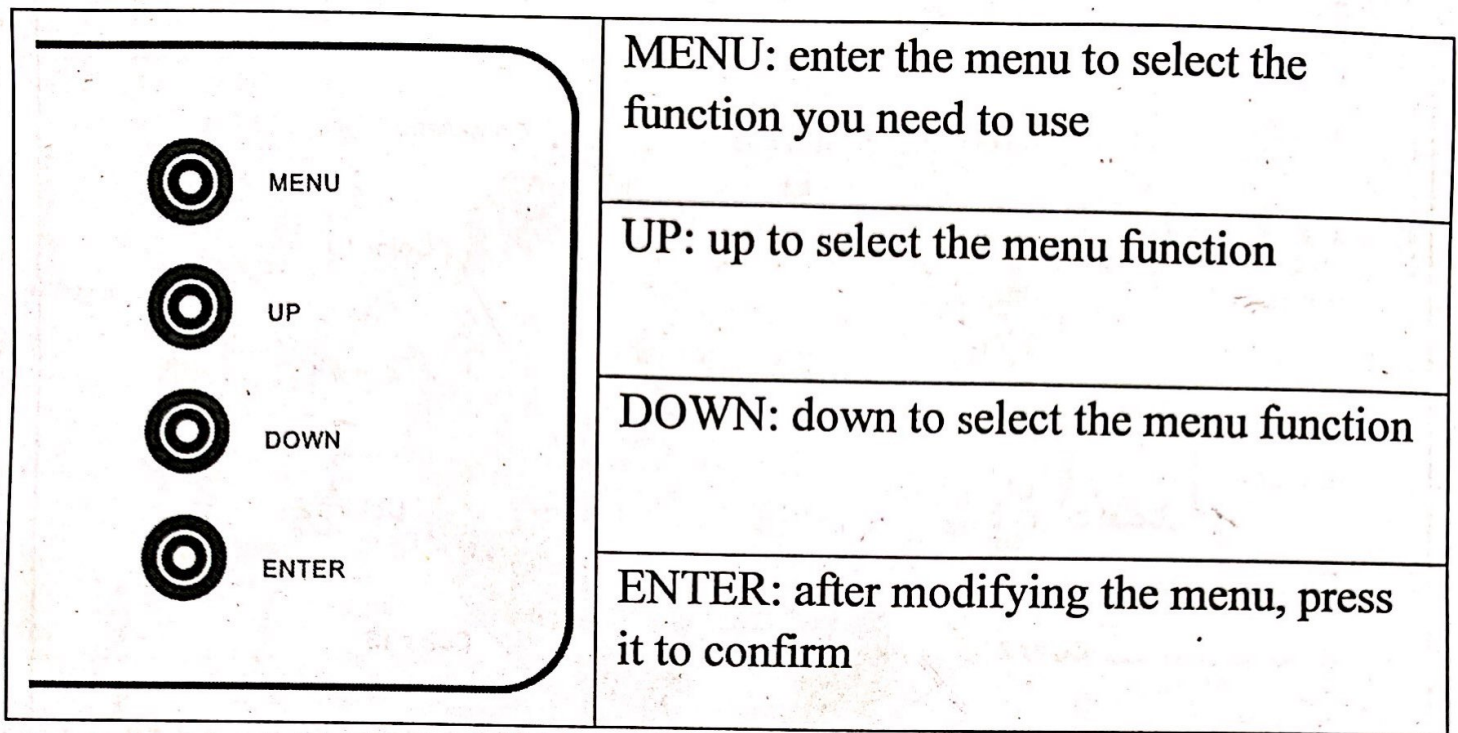
Note: 14 colors plus white.

Prism Wheel Schematic Diagram

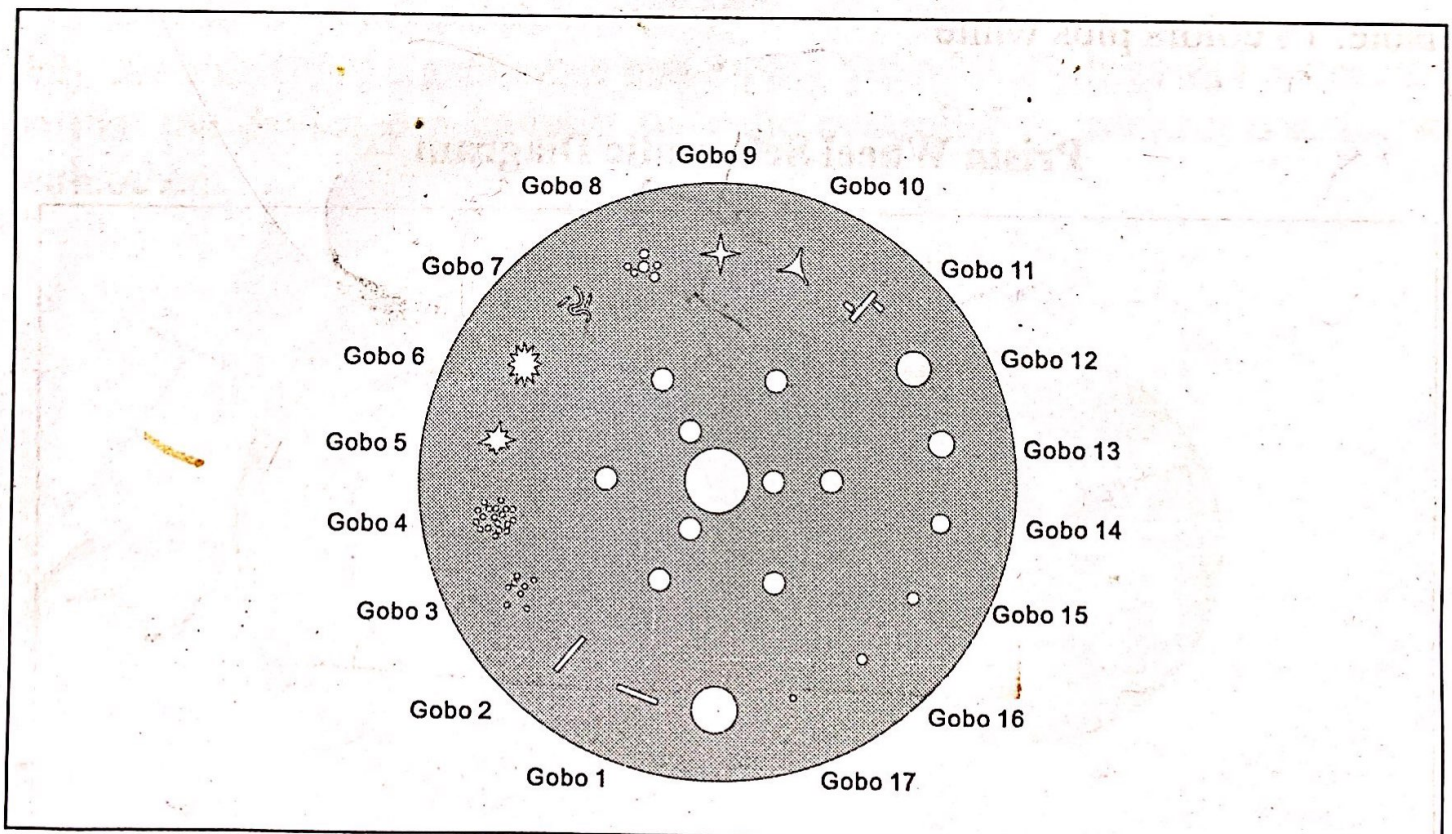


Note: eight-facet prism

Four Buttons Operation Schematic Diagram

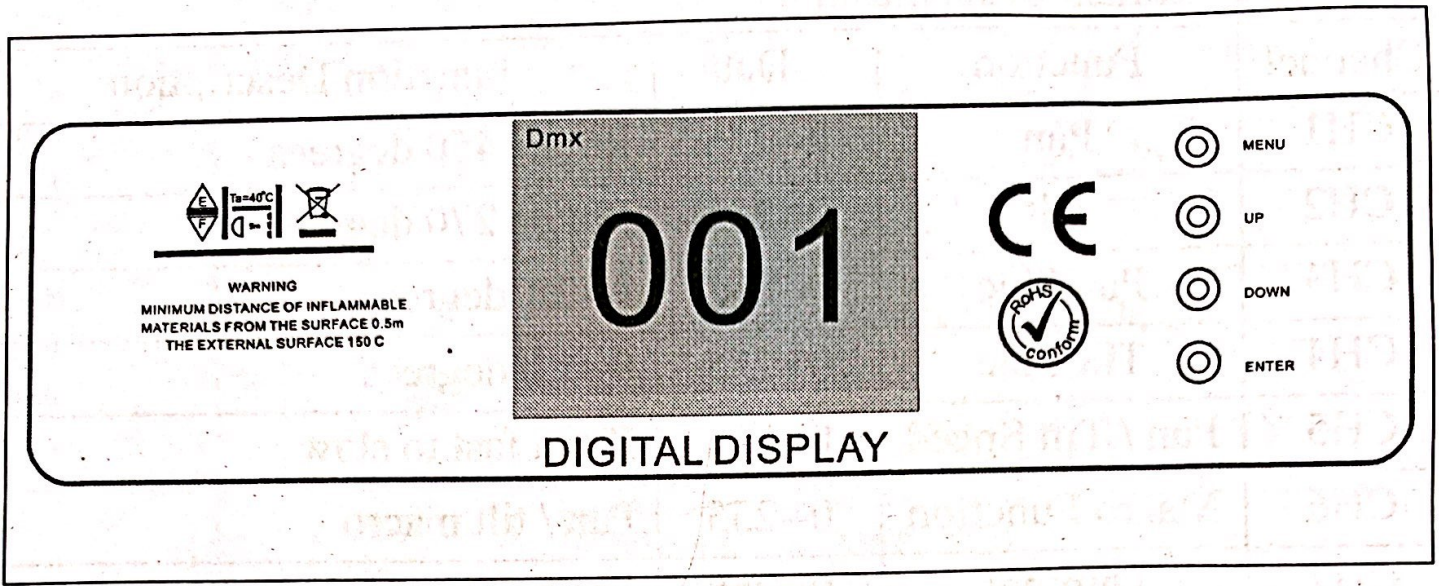


Gobo Wheel Schematic Diagram



Note: 17 gobos plus white

Display Schematic Diagram



The display is touch screen, you can set all the features, select English and Chinese rapidly, positive and negative direction is available.

DMX Channels

16 DMX Channels Description

Channel	Function	Data	Function Description
CH1	Pan	0--255	Rotate 450 degrees
CH2	Tilt	0--255	Rotate 270 degrees
CH3	Pan Fine	0--255	0--2.1 degrees
CH4	Tilt Fine	0--255	0--1.0 degrees
CH5	Pan / Tilt Speed	0--255	From fast to slow
CH6	Macro Function	0--255	Pan / tilt macro
CH7	Dimmer	0--255	From dark to bright
CH8	Strobe	0--7	No brightness
		8--15	Open
		16--200	From slow to fast,
		201--255	Open
CH9	Color Wheel	0--4	White
		5--8	White, red
		9--13	Red
		14--17	Red, yellow
		18--22	Yellow
		23--26	Yellow, blue
		27--30	Blue
		31--35	Blue, green
		36--39	Green
		40--44	Green, CTO
45--48	CTO		
49--53	CTO, magenta		

		54--57	Magenta
		58--61	Magenta, CTB
		62--66	CTB
		67--70	CTB, brown yellow
		71--75	Brown yellow
		76--79	Brown yellow, cyan
		80--83	Cyan
		84--88	Cyan, amaranth
		89--92	Amaranth
		93--97	Amaranth, UV
		98--101	UV
		102--106	UV, deep yellow
		107--110	Deep yellow
		111--114	Deep yellow, yellow green
		115--119	Yellow green
		120--123	Yellow green, light bluish violet
		124--127	Light bluish violet
		128--189	Clockwise rotate, from fast to slow
		190--193	Stop
		194--255	Anti-clockwise rotate, from slow to fast
CH10	Gobo Wheel	0--3	White
		4--6	Gobo1
		7--9	Gobo2

	10--12	Gobo3
	13--15	Gobo4
	16--18	Gobo5
	19--21	Gobo6
	22--24	Gobo7
	25--27	Gobo8
	28--30	Gobo9
	31--33	Gobo10
	34--36	Gobo11
	37--39	Gobo12
	40--42	Gobo13
	43--45	Gobo14
	46--48	Gobo15
	49--51	Gobo16
	52--55	Gobo17
	56--59	White shaking
	60--63	Gobo1 shaking (slow-fast)
	64--67	Gobo2 shaking (slow-fast)
	68--71	Gobo3 shaking (slow-fast)
	72--75	Gobo4 shaking (slow-fast)
	76--79	Gobo5 shaking (slow-fast)
	80--83	Gobo6 shaking (slow-fast)
	84--87	Gobo7 shaking (slow-fast)
	88--91	Gobo8 shaking (slow-fast)

		92--95	Gobo9 shaking (slow-fast)
		96--99	Gobo10 shaking (slow-fast)
		100--103	Gobo11 shaking (slow-fast)
		104--107	Gobo12 shaking (slow-fast)
		108--111	Gobo13 shaking (slow-fast)
		112--115	Gobo14 shaking (slow-fast)
		116--119	Gobo15 shaking (slow-fast)
		120--123	Gobo16 shaking(slow-fast)
		124--127	Gobo17 shaking (slow-fast)
		128--189	Clockwise rotate, from fast to slow
		190--193	Stop
		194--255	Anti-clockwise rotate, from slow to fast
CH11	Eight-Facet Prism	0--10	No function
		11--255	Eight-facet prism
CH12	Prism Rotation	0--7	No function
		8--127	Index
		128--189	Anti-clockwise rotate, from fast to slow
		190--193	Stop
		194--255	Clockwise rotate, from slow to fast
CH13	Frost	0--255	Frost
CH14	Focus	0--255	Focus

CH15	Lamp Off / Lamp On	0--50	No function
		51--100	Lamp on
CH16	Reset	101--150	Lamp off
		151--255	No function
		0--50	No function
		51--100	Renew factory state
		101--255	No function

20 DMX Channels Description

Channel	Function	Data	Function Description
CH1	Pan	0--255	Rotate 450 degrees
CH2	Tilt	0--255	Rotate 270 degrees
CH3	Pan Fine	0--255	0--2.1 degrees
CH4	Tilt Fine	0--255	0--1.0 degrees
CH5	Pan / Tilt Speed	0--255	From fast to slow
CH6	Macro Function	0--255	Pan / tilt macro
CH7	Dimmer	0--255	From dark to bright
CH8	Strobe	0--7	No brightness
		8--15	Open
		16--200	From slow to fast,
		201--255	Open

CH9	Color Wheel	0--4	White
		5--8	White, red
		9--13	Red
		14--17	Red, yellow
		18--22	Yellow
		23--26	Yellow, blue
		27--30	Blue
		31--35	Blue, green
		36--39	Green
		40--44	Green, deep yellow
		45--48	Deep yellow
		49--53	Deep yellow, magenta
		54--57	Magenta
		58--61	Magenta, UV
		62--66	UV
		67--70	UV, CTO
		71--75	CTO
		76--79	CTO, yellow green
		80--83	Yellow green
		84--88	Yellow green, brown yellow
89--92	Brown yellow		
93--97	Brown yellow, cyan		
98--101	Cyan		
102--106	Cyan, amaranth		

		107—110	Amaranth
		111--114	Amaranth, light bluish violet
		115--119	Light bluish violet
		120--123	Light bluish violet, CTB
		124--127	CTB
		128--189	Clockwise rotate, from fast to slow
		190--193	Stop
		194--255	Anti-clockwise rotate, from slow to fast
CH10	Gobo Wheel	0--3	White
		4--6	Gobo1
		7--9	Gobo2
		10--12	Gobo3
		13--15	Gobo4
		16--18	Gobo5
		19--21	Gobo6
		22--24	Gobo7
		25--27	Gobo8
		28--30	Gobo9
		31--33	Gobo10
		34--36	Gobo11
		37--39	Gobo12
		40--42	Gobo13
		43--45	Gobo14
46--48	Gobo15		

	49--51	Gobo16
	52--55	Gobo17
	56--59	White shaking
	60--63	Gobo1 shaking (slow-fast)
	64--67	Gobo2 shaking (slow-fast)
	68--71	Gobo3 shaking (slow-fast)
	72--75	Gobo4 shaking (slow-fast)
	76--79	Gobo5 shaking (slow-fast)
	80--83	Gobo6 shaking (slow-fast)
	84--87	Gobo7 shaking (slow-fast)
	88--91	Gobo8 shaking (slow-fast)
	92--95	Gobo9 shaking (slow-fast)
	96--99	Gobo10 shaking (slow-fast)
	100--103	Gobo11 shaking (slow-fast)
	104--107	Gobo12 shaking (slow-fast)
	108--111	Gobo13 shaking (slow-fast)
	112--115	Gobo14 shaking (slow-fast)
	116--119	Gobo15 shaking (slow-fast)
	120--123	Gobo16 shaking(slow-fast)
	124--127	Gobo17 shaking (slow-fast)
	128--189	Clockwise rotate, from fast to slow
	190--193	Stop
	194--255	Anti-clockwise rotate, from slow to fast

CH11	Eight-Facet Prism	0--10	No function
		11--255	Eight-facet prism
CH12	Prism Rotation	0--7	No function
		8--127	Index
		128--189	Anti-clockwise rotate, from fast to slow
		190--193	Stop
		194--255	Clockwise rotate, from slow to fast
CH13	Focus	0--255	Focus
CH14	Frost	0--255	Frost
CH15	Lamp Off / Lamp On	0--50	No function
CH16	Reset	51--100	Lamp on
		101--150	Lamp off
		151--255	No function
		0--50	No function
CH17	Color Speed	51--100	Renew factory state
		101--255	No function
		0	Fast
		1--254	From fast to slow
		255	Fast

CH18	Gobo Speed	0	Fast
		1--254	From fast to slow
		255	Fast
CH19	Focus Speed	0--255	From fast to slow
CH20	Macro Speed	0--255	From fast to slow, pan / tilt macro speed

1

Dimensions and Weight

Length of base (including handles): 44 cm

Width: 33 cm

Height (head horizontal): 47 cm

Carton case size: 45.5*42*55 cm

Flight case size: 75*50*69 cm (2 units)

Net weight: 16 kg

Gross weight (carton case): 18 kg

Gross weight (flight case): 56.55 kg

We hope you are satisfied with this product we offer. As long as you can correctly use this device strictly in accordance with this product instruction, we can guarantee it works normally within three years.