



Contact module with 1 contact element, 1 NO, screw terminal, for front plate mounting, Minimum order quantity 5 or a multiple of this

| | |
|---|--|
| product brand name | SIRIUS ACT |
| product designation | Contact module |
| product type designation | 3SU1 |
| Contact block/ lampholder | |
| socket design | other |
| General technical data | |
| product function positive opening | No |
| insulation voltage rated value | 500 V |
| degree of pollution | 3 |
| type of voltage | |
| • of the operating voltage | AC/DC |
| • of the input voltage | AC/DC |
| surge voltage resistance rated value | 6 kV |
| protection class IP | |
| • of the enclosure | IP40 |
| • of the terminal | IP20 |
| shock resistance | |
| • according to IEC 60068-2-27 | sinusoidal half-wave 15g / 11 ms |
| • for railway applications according to EN 61373 | Category 1, Class B |
| vibration resistance | |
| • according to IEC 60068-2-6 | 10 ... 500 Hz: 5g |
| • for railway applications according to EN 61373 | Category 1, Class B |
| operating frequency maximum | 3 600 1/h |
| mechanical service life (operating cycles) typical | 10 000 000 |
| electrical endurance (operating cycles) typical | 10 000 000 |
| thermal current | 10 A |
| reference code according to IEC 81346-2 | S |
| continuous current of the C characteristic MCB | 10 A |
| Substance Prohibitance (Date) | 10/01/2014 |
| operating voltage | |
| • at AC | |
| — at 50 Hz rated value | 5 ... 500 V |
| — at 60 Hz rated value | 5 ... 500 V |
| • at DC rated value | 5 ... 500 V |
| Power Electronics | |
| contact reliability | One maloperation per 100 million (17 V, 5 mA), one maloperation per 10 million (5 V, 1 mA) |
| Auxiliary circuit | |
| design of the contact of auxiliary contacts | Silver alloy |
| number of NC contacts for auxiliary contacts | 0 |

| | |
|--|---|
| • lagging switching | 0 |
| number of NO contacts for auxiliary contacts | 1 |
| • leading contact | 0 |
| operational current at AC-12 | |
| • at 24 V rated value | 10 A |
| • at 48 V rated value | 10 A |
| • at 110 V rated value | 10 A |
| • at 230 V rated value | 8 A |
| • at 400 V rated value | 8 A |
| operational current at AC-15 | |
| • at 24 V rated value | 6 A |
| • at 48 V rated value | 6 A |
| • at 110 V rated value | 6 A |
| • at 230 V rated value | 6 A |
| • at 400 V rated value | 3 A |
| • at 500 V rated value | 1.4 A |
| operational current at DC-12 | |
| • at 24 V rated value | 10 A |
| • at 48 V rated value | 5 A |
| • at 110 V rated value | 2.5 A |
| • at 230 V rated value | 1 A |
| • at 400 V rated value | 0.3 A |
| • at 500 V rated value | 0.3 A |
| operational current at DC-13 | |
| • at 24 V rated value | 3 A |
| • at 48 V rated value | 1.5 A |
| • at 110 V rated value | 0.7 A |
| • at 230 V rated value | 0.3 A |
| • at 400 V rated value | 0.1 A |
| • at 500 V rated value | 0.1 A |
| Connections/ Terminals | |
| type of electrical connection | screw-type terminals |
| type of connectable conductor cross-sections | |
| • solid with core end processing | 2x (0.5 ... 0.75 mm ²) |
| • solid without core end processing | 2x (1.0 ... 1.5 mm ²) |
| • finely stranded with core end processing | 2x (0.5 ... 1.5 mm ²) |
| • finely stranded without core end processing | 2x (1,0 ... 1,5 mm ²) |
| • for AWG cables | 2x (18 ... 14) |
| tightening torque with screw-type terminals | 0.8 ... 0.9 N·m |
| Ambient conditions | |
| ambient temperature | |
| • during operation | -25 ... +70 °C |
| • during storage | -40 ... +80 °C |
| environmental category during operation according to IEC 60721 | 3M6, 3S2, 3B2, 3C3 (without salt spray), 3K6 (with relative humidity of 10 ... 95%, no condensation in operation permitted) |
| Installation/ mounting/ dimensions | |
| fastening method | front plate mounting |
| • of modules and accessories | Front plate mounting |
| height | 33.2 mm |
| width | 9.8 mm |
| depth | 27.7 mm |
| suitability for integration | |
| • plastic enclosure | Yes |
| • metal enclosure | Yes |
| Certificates/ approvals | |
| General Product Approval | |



[Confirmation](#)



[KC](#)

| | | | |
|--------------------------|---------------------------|-------------------|-------------------|
| General Product Approval | Declaration of Conformity | Test Certificates | Marine / Shipping |
|--------------------------|---------------------------|-------------------|-------------------|



EG-Konf.

[Type Test Certificates/Test Report](#)

[Special Test Certificate](#)



| | | |
|-------------------|-------|-------------|
| Marine / Shipping | other | Environment |
|-------------------|-------|-------------|



LRS



PRS



RINA

[Confirmation](#)

[Environmental Confirmations](#)

Further information

Siemens has decided to exit the Russian market (see here).

<https://press.siemens.com/global/en/pressrelease/siemens-wind-down-russian-business>

Siemens is working on the renewal of the current EAC certificates.

Please contact your local Siemens office on the status of validity of the EAC certification if you intend to import or offer to supply these products to an EAC relevant market (other than the sanctioned EAEU member states Russia or Belarus).

Information on the packaging

<https://support.industry.siemens.com/cs/ww/en/view/109813875>

Information- and Downloadcenter (Catalogs, Brochures,...)

<https://www.siemens.com/ic10>

Industry Mall (Online ordering system)

<https://mall.industry.siemens.com/mall/en/en/Catalog/product?mlfb=3SU1400-1AA10-1BA0>

Cax online generator

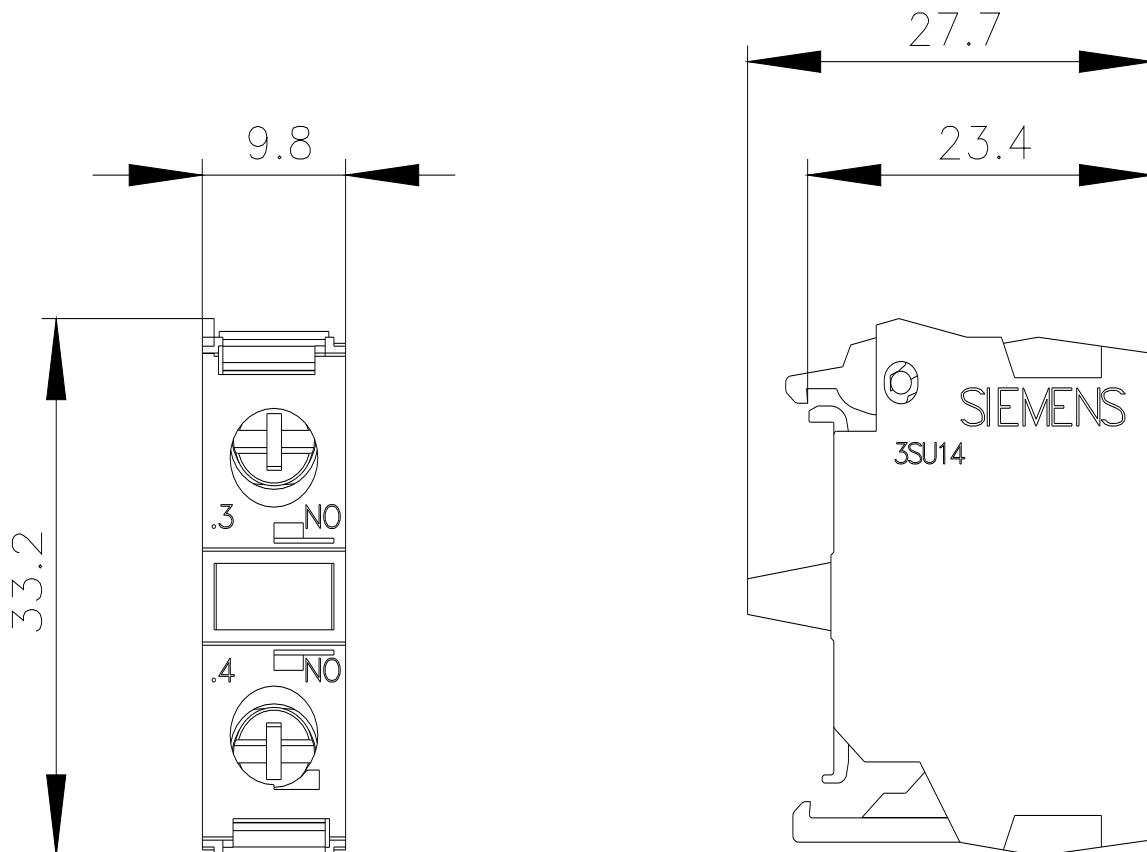
<http://support.automation.siemens.com/WW/CAXorder/default.aspx?lang=en&mlfb=3SU1400-1AA10-1BA0>

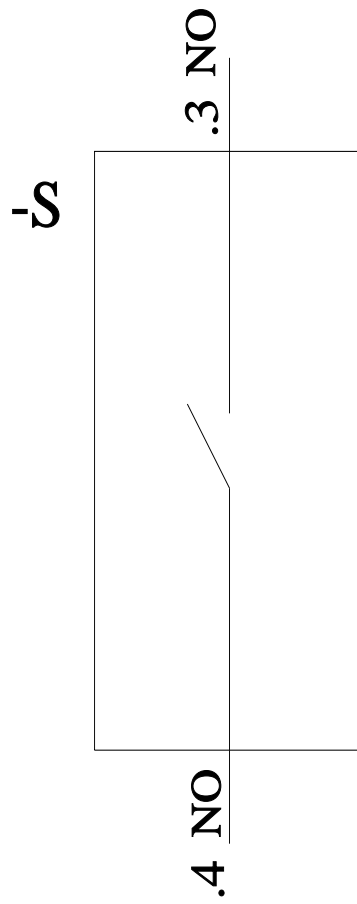
Service&Support (Manuals, Certificates, Characteristics, FAQs,...)

<https://support.industry.siemens.com/cs/ww/en/ps/3SU1400-1AA10-1BA0>

Image database (product images, 2D dimension drawings, 3D models, device circuit diagrams, EPLAN macros, ...)

http://www.automation.siemens.com/bilddb/cax_de.aspx?mlfb=3SU1400-1AA10-1BA0&lang=en





last modified:

3/9/2022 