

Data sheet

Commercial Art.No.: 99.205.9996.2

PCB pin header 8213 S / 5 W OB OF

PCB pin header with angled pin, 5 -pole, open, without marking, pitch: 5,08 mm, series: 8213 S/5 W OB GR OF



Commercial Art.No.	99.205.9996.2
EAN	4015573275911
Order Unit	50

Certificates / Approvals



Technical data

General

Modular spacing	5.08 mm
Soldering process	Wave soldering
Packaging	Carton
Number of poles	5
Number of levels	1
Marking	No
Fastening	None
Mating direction towards (circuit) board	180°

Technical data

Rated current	12 A
Overvoltage Category I	1000 V
Overvoltage Category II	400 V
Overvoltage Category III	250 V
Rated impulse voltage	4 kV

Technical Data UL/CSA

Voltage UL	300 V
Current field wiring	15 A
Current factory wiring	15 A
Voltage CSA	300 V
Current CSA	15 A

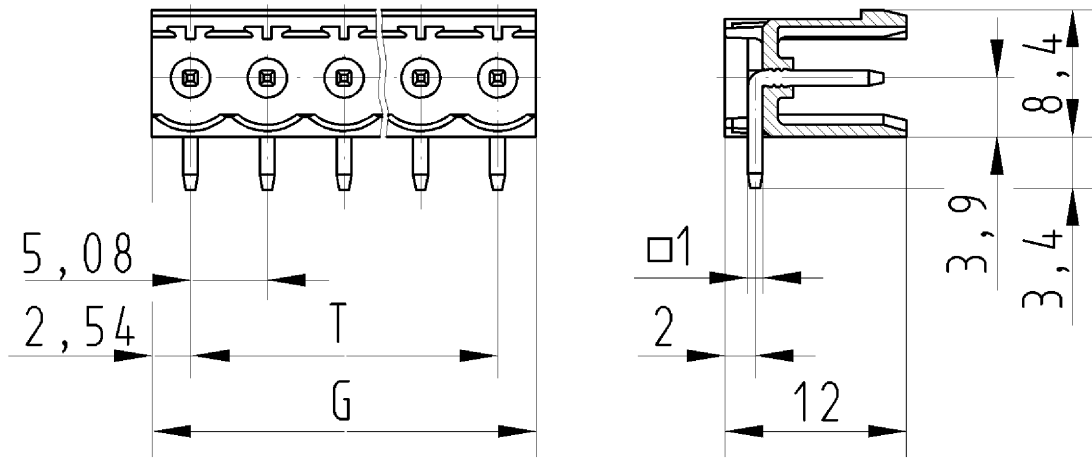
Other

Type of insulation material	Thermoplastic
Color	Grey
Height	8.4 mm
Length	26.8 mm
Depth	12 mm

Material contact base	CuZn
Material contact surface	Sn

Classification

ECLASS 8.1	27440402
ETIM 7.0	EC002637
ETIM 6.0	EC002637
ETIM 5.0	EC002637
ETIM 4.0	EC002637



für folgende Tabellen-Zchnng.:
99.202.9996.2 8213 S/...WOF

LP-STIFTLISTE OFFEN
99.202.9996.2 10W
08.11.2007 SCJ