

For LineDriver™ and LineLazer IV 250SPS Hydraulic Pump Kit 247930

312768B
EN

10 mph (16 kph) Maximum Operating Speed



Important Safety Instructions

Read all warnings and instructions in this manual. Save these instructions.



312540 English, Français, Español,
Nederlands, Deutsch



312541 Italian, Turkish, Greek, Croatian,
Portuguese



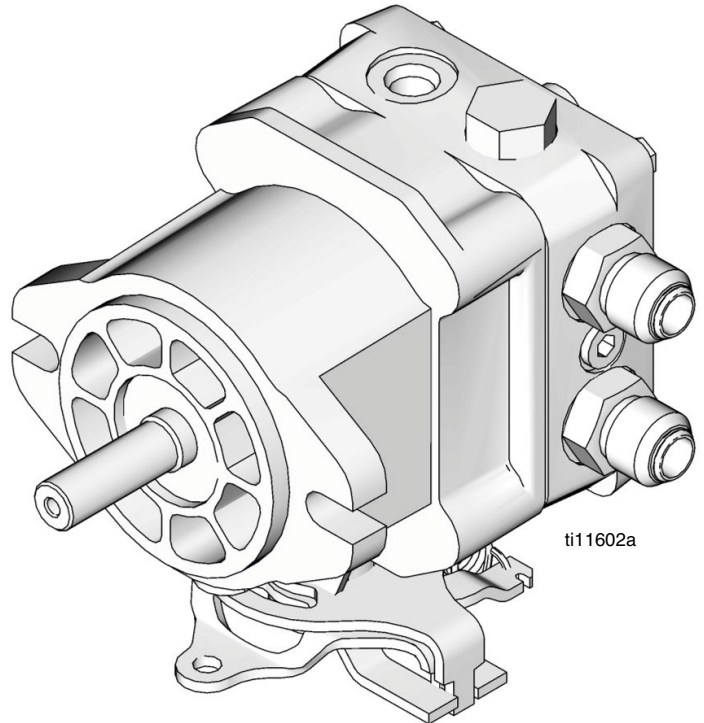
312542 Danish, Finnish, Swedish,
Norwegian, Russian



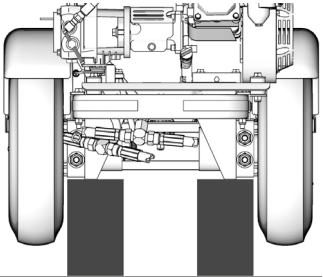
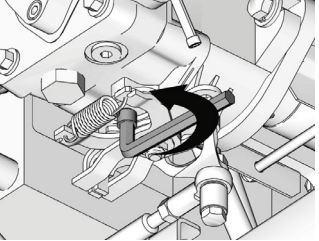
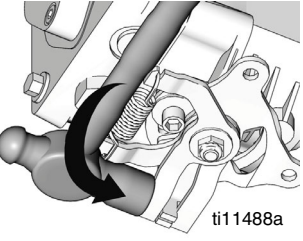
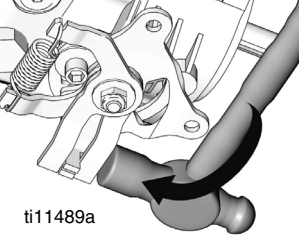
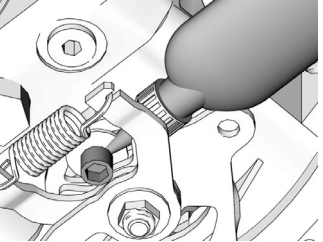
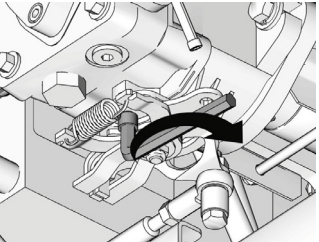
312543 Estonian, Latvian, Lithuanian,
Polish, Hungarian



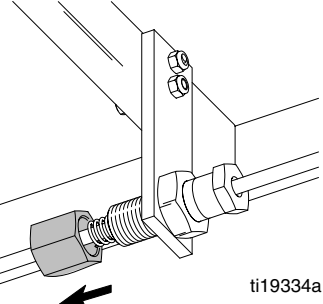
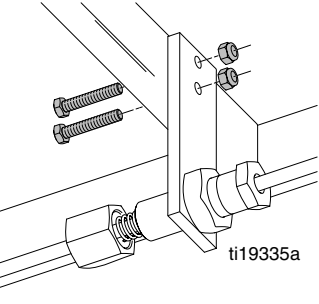
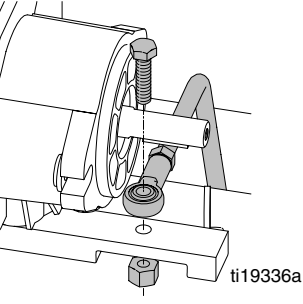
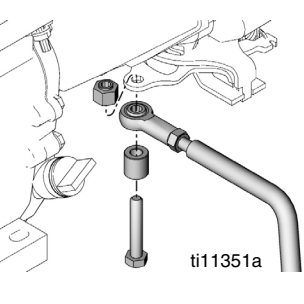
312544 Czech, Slovakian, Slovenian,
Romanian, Bulgarian



Creep Adjustment

 <p>ti11127a</p>	 <p>ti11486a</p>	 <p>ti11488a</p>	 <p>ti11489a</p>
<p>1. Set unit on blocks so wheels are off ground.</p>	<p>2. Loosen socket head cap screw.</p>	<p>3. Rotate mechanism to stop creep.</p>	<p>4. If creep increases from step 3, rotate mechanism in direction shown to stop creep.</p>
 <p>ti11485a</p>	 <p>ti11487a</p>		
<p>5. Apply medium strength thread sealant to threads.</p>	<p>6. Torque to 240 in-lb.</p>	<p>7. If there was any loss of hydraulic fluid, refer to your Repair manual listed on front cover.</p>	

Pump Installation for LineDriver Model 233725

 <p>ti19334a</p>	 <p>ti19335a</p>	 <p>ti19336a</p>	 <p>ti11351a</p>
<p>1. Loosen assembly.</p>	<p>2. Loosen two bolts and remove bracket from LineDriver.</p>	<p>3. Disconnect control arm from hydrostatic pump. See Repair manual for hydrostatic pump removal. Install new hydrostatic pump.</p>	<p>4. Attach control arm linkage to hydrostatic pump.</p>

All written and visual data contained in this document reflects the latest product information available at the time of publication. Graco reserves the right to make changes at any time without notice.

For patent information, see www.graco.com/patents.
Original instructions. This manual contains English. MM 312768

Graco Headquarters: Minneapolis
International Offices: Belgium, China, Japan, Korea

GRACO INC. AND SUBSIDIARIES • P.O. BOX 1441 • MINNEAPOLIS MN 55440-1441 • USA
Copyright 2012, Graco Inc. All Graco manufacturing locations are registered to ISO 9001.

www.graco.com
Revision B - September 2012